

High Temperature High Pressure Welded Manual Gate Valve

高温高压焊接式手动闸阀



制造验收技术标准

1. 制造与验收技术条件按日本火力发电用阀门标准E101和NB/T47044的规定。
2. 结构长度按E101的规定或按用户提供尺寸。
3. 焊接坡口按电力工业管理标准78DG的规定或按用户提供尺寸。

Manufacture and Acceptance Standard

1. The manufacture and acceptance specification shall be based on the Japanese standard E101 applied for the thermal power and NB/T47044.
2. The length shall be in line with E101 or by user's specification.
3. Welding groove shall be in accordance with power industry specification 78DG or by user's specification. The size in inclose is old production's size.

主要性能和使用范围 Chif Property and Scope Of Use

| 型号 model | 公称压力 PN(MPa) | 试验压力 Test pressure(MPa) | | 工作压力(MPa) Working pressure | 工作温度(°C) Working temp | 适用介质 Applicable medium |
|-----------------------|-----------------|-------------------------|--|-------------------------------|--------------------------|---------------------------|
| | | 强度试验 Strength test | 密封试验/上密封试验 Seal test/back seal test | | | |
| Z96(1, 0, 2)Y-250 | 25 | 37.5 | 27.5 | - | ≤425 | 水、蒸汽 Water, steam |
| Z96(1, 0, 2)Y-320 | 32 | 48 | 36 | - | ≤425 | |
| Z96(1, 0, 2)Y-P54100V | - | 30 | 22 | P5410 | ≤540 | 蒸汽 steam |
| Z96(1, 0, 2)Y-P54170V | - | 48 | 36 | P5417 | ≤540 | |

主要零件材料 Material Formain Parts

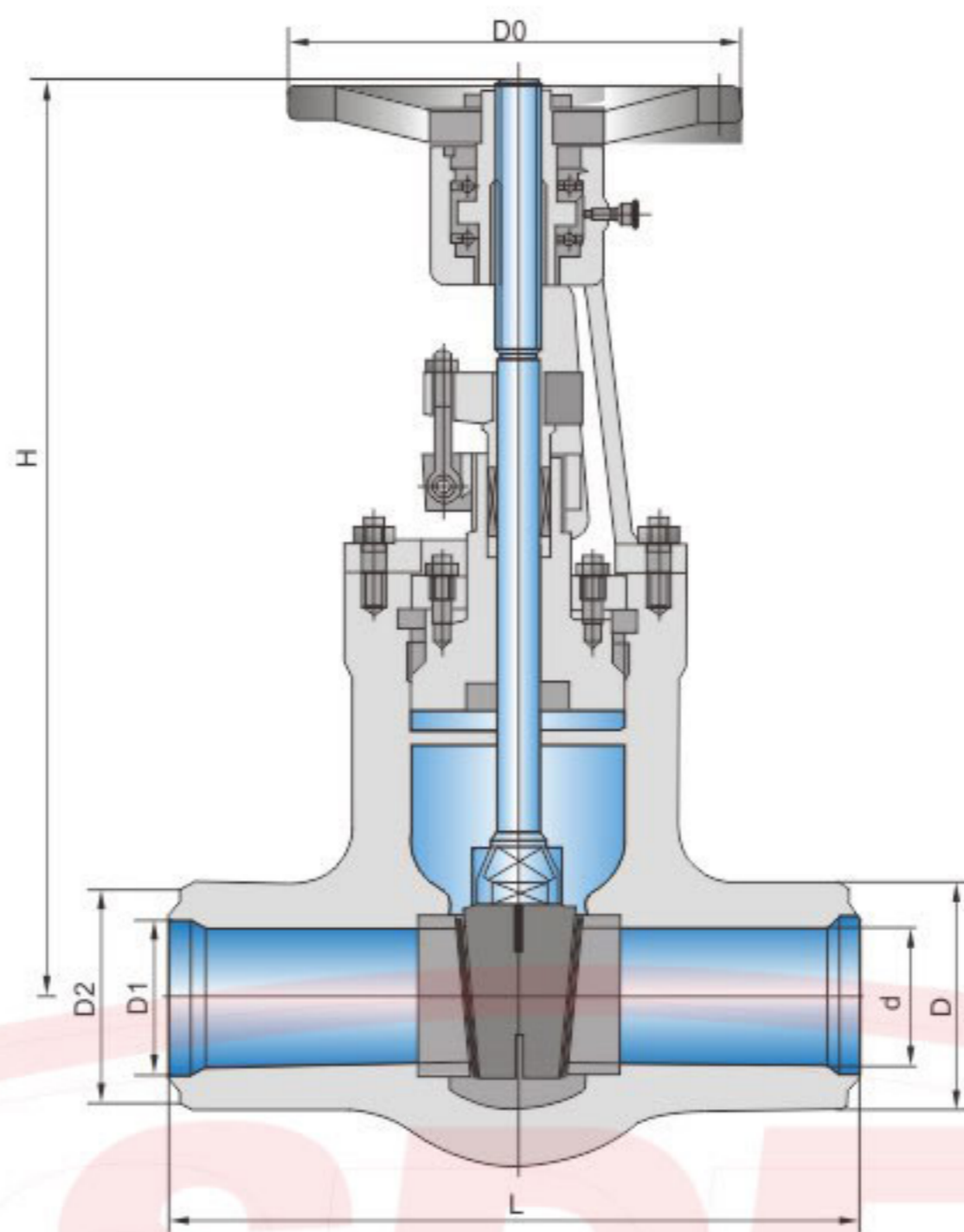
| 零件名称 Part name | 材料牌号 Material grade | | |
|------------------|---|-----------------------|----------------|
| 阀体 Body | WCB | WC6 | WC9 |
| 闸板 Disc | WCB | WC6 | WC9 |
| 阀盖 Bonnet | 25 | 12Cr1MoVA | |
| 阀杆 Stem | 2Cr13 | 25Cr2MoV | |
| 阀座 Seat | 25 | 12Cr1MoVA | |
| 密封环 Sealing ring | S软钢(增强柔性石墨) Soft steel(Enhanced flexible graphite) | S软钢 Soft steel | F软钢 Soft steel |
| 填料 Packing | 增强柔性石墨 Enhanced flexible graphite | | |
| 支架 Yoke | WCB | WCB或WC6 WCB or WC6 | |
| 阀杆螺母 Stem nut | ZQA19-4 | | |
| 四开环 4 Piece ring | 12Cr1MoV | 12Cr1MoV | |

注：如有产品参数疑问请致电上海电站阀门有限公司详询，电话：021-59222288

Note: If the product parameters, please call our company detailed inquiry, Tel: 021-59222288

High Temperature High Pressure Welded Manual Gate Valve

高温高压焊接式手动闸阀



- 说明**
1. 本焊接闸阀采用自密封结构。
 2. 阀体长度及焊接口尺寸倒角坡度可根据用户要求生产。

- Directions**
1. The welding gate valve self-sealing structure.
 2. Valve length. Weld size and welding slope may be specified by customer.

主要性能和使用范围 Chirf Property and Scope of Use

| | |
|--------------------------|---|
| 工作温度 Working temperature | -29°C~673°C |
| 阀体材料 Body material | WCB, 20CrMoV, 15Cr1Mo1v, 15CrMo, WC6, WC9, F91, F92, WB36 |
| 适用介质 Applicable media | 蒸汽、水 Steam, water |

主要外形尺寸和连接尺寸 Main Dimensions and Connection Dimensions

| 型号 Model | 公称通径(mm) | L | D | D1 | D2 | H | D0 |
|--------------|----------|-----|-----|-----|-----|------|-----|
| Z61Y-250 | 50 | 280 | 82 | 50 | 78 | 586 | 300 |
| | 65 | 350 | 105 | 68 | 93 | 650 | 320 |
| Z61Y-320 | 80 | 450 | 120 | 83 | 110 | 680 | 400 |
| Z60Y-250 | 100 | 525 | 150 | 108 | 145 | 755 | 450 |
| Z60Y-320 | 125 | 600 | 195 | 129 | 172 | 830 | 500 |
| Z60Y-P54140V | 150 | 650 | 225 | 166 | 183 | 1050 | 550 |
| Z61Y-P54140V | 175 | 750 | 255 | 166 | 183 | 1050 | 600 |
| Z61Y-P57170V | 200 | 750 | 285 | 208 | 243 | 1050 | 650 |
| | 225 | 850 | 300 | 208 | 243 | 1100 | 700 |

注：如有产品参数疑问请致电上海电站阀门有限公司详询，电话：021-59222288

Note: If the product parameters, please call our company detailed inquiry, Tel: 021-59222288