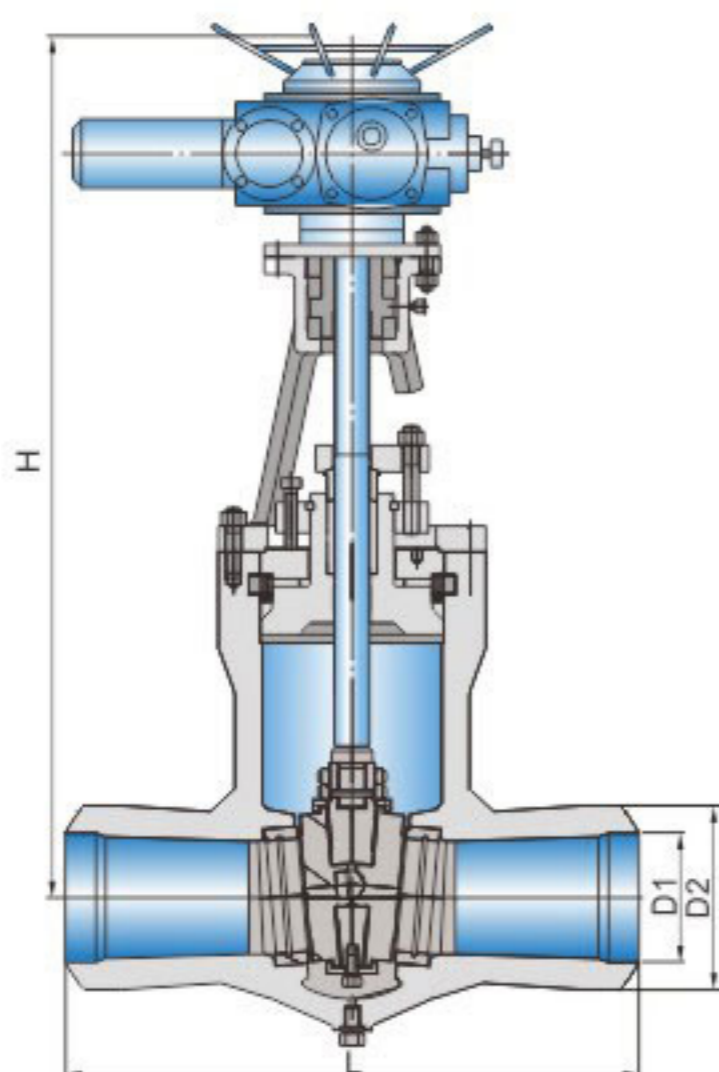


High Temperature High Pressure Welded Electric Gate Valve

高温高压电动焊接闸阀



制造验收技术标准

1. 制造与验收技术条件按E101和NB/T47044的规定。
2. 阀门试验按NB/T47044和JB2640-81的规定阀门密封试验和上密封试验压力按NB/T47044的规定。
3. 结构长度按E101的规定或用户提供尺寸。
4. 焊接坡口按电力工业管理标准78DG的规定或按用户提供尺寸。

Manufacture and Acceptance Standard

1. Manufacturing and acceptance technology conform to E101 and NB/T47044.
2. Valve tests conform to NB/T47044 and JB2640-81 and valve sealing tests as well as upper sealing testing pressure conform to NB/T47044.
3. Structure and length conform to E101 or as specified by customer.
4. Welding slope conforms to the Power Industrial Administration Standards 78DG or as specified by customer.

主要外形尺寸和连接尺寸 Main Dimensions and Connection Dimensions

型号 Model	公称通径DN(mm)	L	D1	D2
Z962H-200 Z960Y-200 Z962Y-P ₅₄ 100V Z960Y-P ₅₄ 100V	150	650	164	200
	175	750	186	223
	200	750	200	262
	225	780/850	233	282
	250	950	275	325
	300	1050	312	380
	350	1150	366	430
	400	1200	410	470
	500	1400	500	570
Z960Y-320 Z960Y-P ₅₇ 170V	150	650	150	200
	175	750	170	225
	200	750	200	262
	225	780/850	207	283
	250	950	250	325
	300	1050	265	377
	350	1150	366	430
	400	1200	410	470
	500	1400	500	570
Z962H-250 Z960Y-250 Z962Y-P ₅₄ 140V Z960Y-P ₅₄ 140V	150	650	150	200
	175	750	176	223
	200	750	200	262
	225	780/850	220	282
	250	950	265	325
	300	1050	305	380
	350	1150	366	430
	400	1200	410	470
	500	1400	500	570
600	1550	580	640	