

NK Series Vacuum Isolating Valve

• NK系列真空隔离阀

主要特点及用途

1. 本系列阀门主体采用铸锻结构，具有平行双密封副半强制双向密封，密封面到位运动和楔形快楔紧运动分步作用实现零泄漏。
2. 密封面运动摩擦力小、启闭轻便，而且密封面磨损有自动补偿功能。
3. 结构简单、紧凑、检修方便，使用寿命长。
4. 阀盖填料室设有真空密封结构，具有自胀压紧作用，并且各接各面采用高强膨胀材料密封，使系统与大气完全隔离，具有很好的系统气密性。
5. 本系列阀门连接形式分法兰、焊接两种，驱动方式有手动、电动两种。
该阀门适用于工作温度 $\leq 425^{\circ}\text{C}$ 和 550°C ，工作介质为水、蒸汽或空气的管路上，作为启闭装置；尤其适用于火电厂汽机冷凝和真空负压系统，起真空隔离密封作用。

Chief Structure Features And Usages

1. The main body of this series valve uses a casting and forging structure and has a dual-direction seal of parallel secondary semi-forced dual sealing and the motions of both the sealing face to its due position due position and the tapered block to wedge-up are separated to have zero leakage come true.
2. The sealing face is of a small frictional force if motion,lightly opened and closed and has a self compensation function for wearing.
3. Simple and compact structure easy to more than 10 years of long duration.
4. A vacuum sealing structure is set in the filling chamber on the valve cover,which has the action of self-expanding and impacting,the joint faces are sealing with the expansive material of high strength to completely isolate the system from air.
5. Two connectin gways of b flange and welding,two ways to drive of heand-and eletric-operation. The valve can be used as the open & close device for the pipelines under the working temperature $\leq 425^{\circ}\text{C}$ and 550°C and the working medium of water,steam or air;especially suitable to act as the vacuum isolating sealing for the system of eteam turbine's condensation and vacuum negative pressure in steam power plants.

阀门结构型式

NKJ61型真空隔离截止阀；NKZ44, NKZ64型真空隔离闸板阀

制造验收技术标准

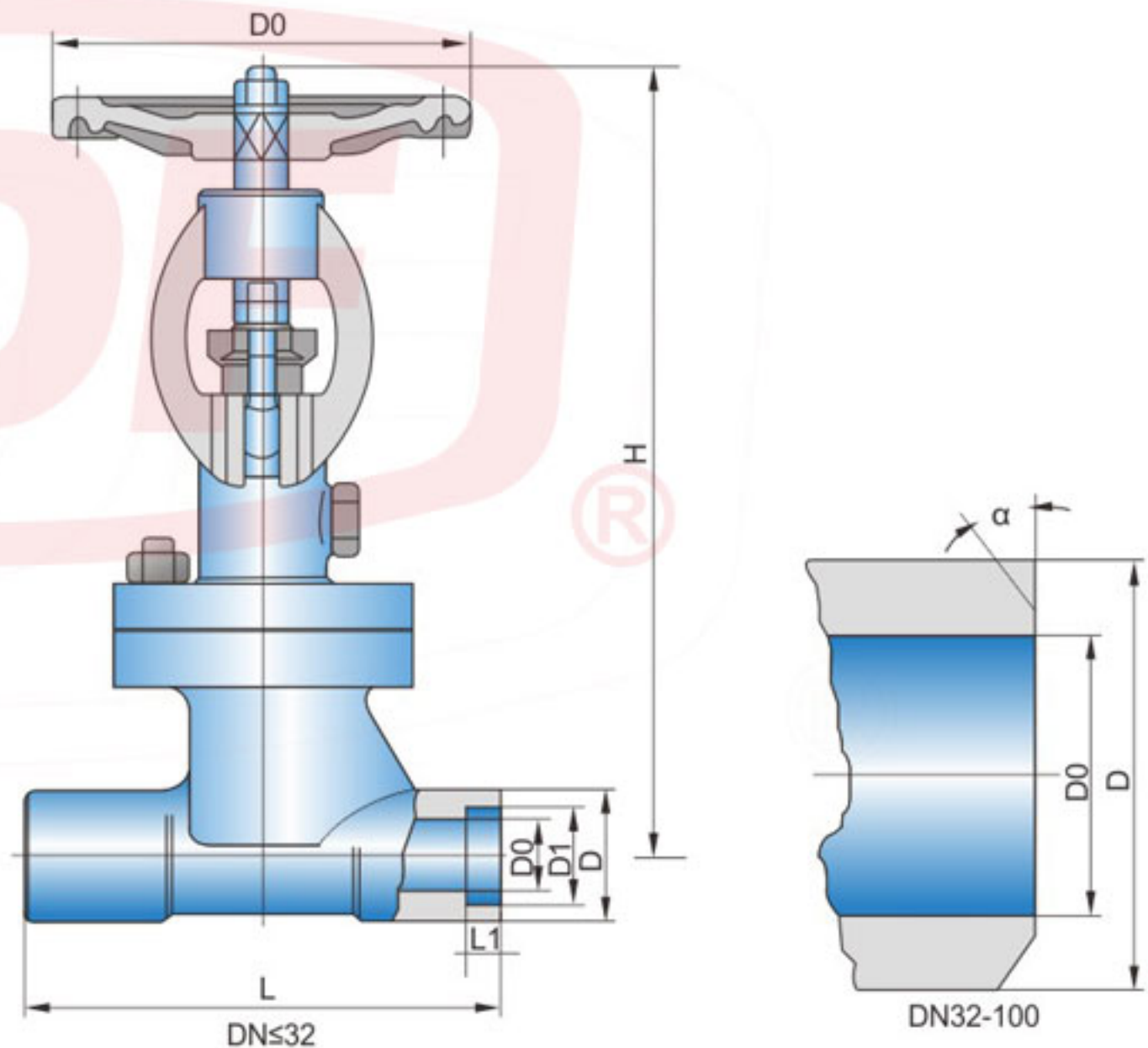
1. 制造验收技术条件参照GB/T 12234, GB/T 12235.
2. 阀门结构长度按GB/T 12221.
3. 阀门法兰尺寸按JB/T 78-79, GB/T 9112-9124.

Valve Ctrucure Type

Mode1 NKJ61 Vacuum isolating stop valve;Model NKZ44 and NKZ64 Vacuum isolating gate valves.

Manufacture And Acceptance Standard

1. Manufacture,eceptance and technical conditions per GB/T12234,GB/T12235.
2. Face-to face dimensions per GB/T12221.
3. Flange sizes per JB/T78-79,GB/T9112-9124.



主要性能规范 Main Performance Specifications

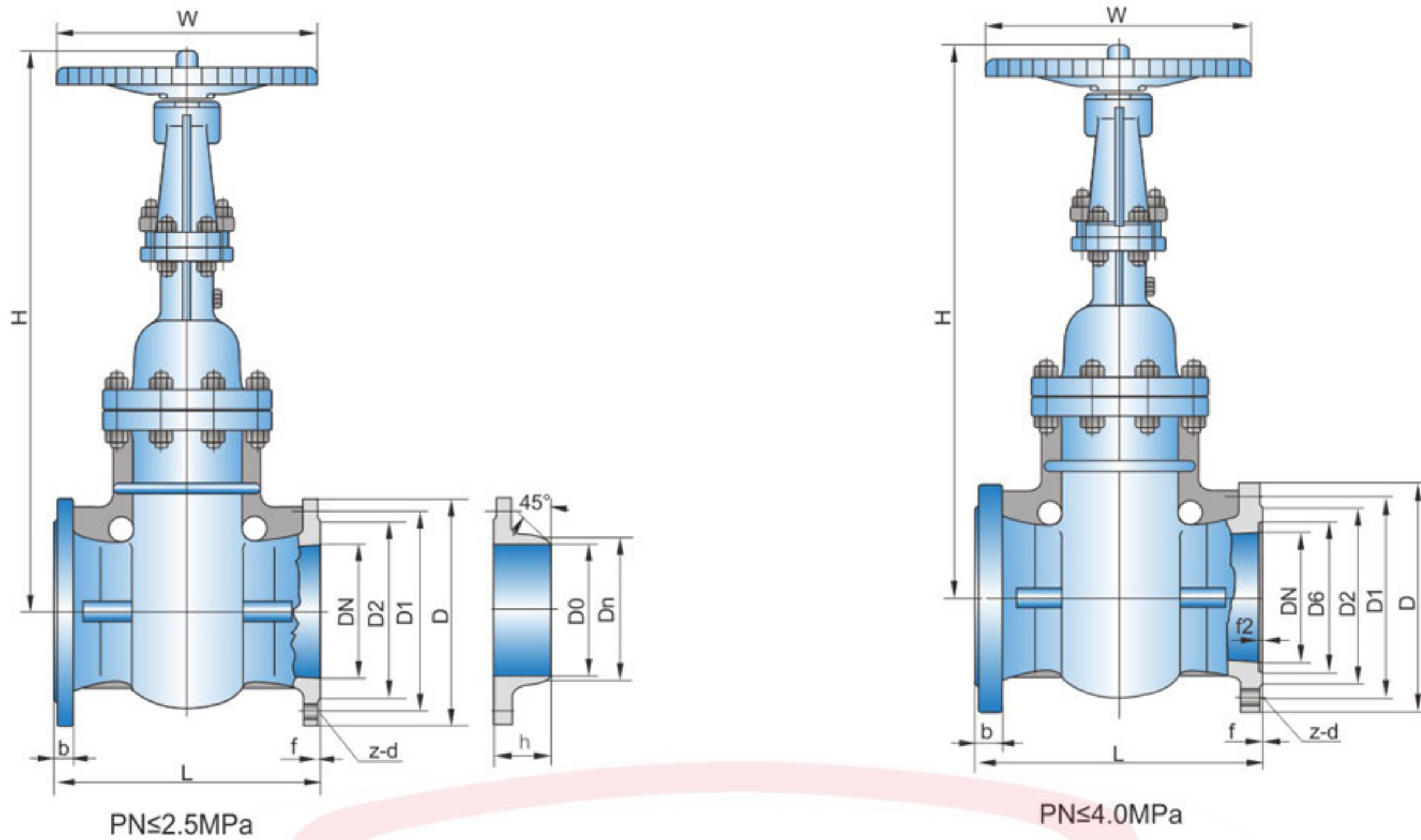
| 产品类别 Product category | 壳体强度试验(MPa) Shell strength test | 上密封试验(MPa) Back seal test | 密封试验(Mpa) Sealing test | 适用介质 Applicable medium | 适用温度($^{\circ}\text{C}$) Applicable Temp |
|--------------------------|------------------------------------|------------------------------|---------------------------|------------------------------|---|
| NKJ61H-40 | 6.0 | 4.4 | 4.4 | 水、蒸汽、空气 Water, steam, air | ≤ 425 |
| NKJ61H-64 | 9.6 | 7.0 | 7.0 | | |
| NKJ61H-100 | 15.0 | 11.0 | 11.0 | | |
| NKJ61Y-40I | 6.0 | 4.4 | 4.4 | 水、蒸汽、空气 Water, steam, air | ≤ 550 |
| NKJ61Y-64I | 9.6 | 7.0 | 7.0 | | |
| NKJ61Y-100I | 15.0 | 11.0 | 11.0 | | |

主要零件材料 Material Formain Parts

| 零件名称 Part name | 阀体、阀盖 Body, bonnet | 阀杆 Stem | 阀瓣 Disc | 密封面 Sealing surface | 阀杆螺母 Stem nut | 填料 Packing | 紧固件 fastener |
|-------------------|-----------------------|-----------------------------|-----------------------------|-------------------------|------------------------|-----------------------------|-------------------------|
| NKJ61H-C | 25或WCB 25 or WCB | 铬不锈钢 Cr. stainless steel | 铬不锈钢 Cr. stainless steel | H:合金钢 H: Alloy steel | 铝青铜 Aluminum bronze | 膨胀复合石墨 Expanded Graphite | 优质碳钢 HQ carbon steel |
| NKJ61Y-I | 铬钼钢 Cr.Mo steel | 25Cr2MoV | 12Cr1Mo1VA | Y:硬质合金 Y: Carbide | | | 铬钼钢 Cr.Mo steel |

Vacuum Isolated Gate Valve

• 真空隔离闸阀



主要性能规范 Main Performance Specifications

| 公称压力 PN(MPa) | 壳体强度试验 Shell strength test | 上密封试验压力 Back seal test | 密封试验压力(MPa) Seal test pressure |
|--------------|----------------------------|------------------------|--------------------------------|
| 1.0 | 1.5 | 1.1 | 1.1 |
| 1.6 | 2.4 | 1.8 | 1.8 |
| 2.5 | 3.8 | 2.8 | 2.8 |
| 4.0 | 6.0 | 4.4 | 4.4 |
| 6.4 | 9.6 | 7.0 | 7.0 |
| 10.0 | 15.0 | 11.0 | 11.0 |

使用范围 Use Range

| 产品类别 Product category | 适用介质 Applicable medium | 适用温度 Applicable Temp(°C) |
|--|------------------------------|--------------------------|
| NKZ41H-C型 NKZ44H-C型 NKZ941H-C型 NKZ944H-C型 | 水、蒸汽、空气 Water, steam, air | ≤425°C |
| NKZ41Y-I型 NKZ44Y-I型 NKZ941Y-I型 NKZ944Y-I型 | 水、蒸汽、空气 Water, steam, air | ≤550°C |

主要零件材料 Material Formain Parts

| 零件名称 Part name | 阀体、阀盖 Body, Bonnet | 阀杆 Stem | 闸板 Disc | 阀座密封面 Seat sealing surface | 阀杆螺母 stem nut | 填料 Packing | 紧固件 Fasteners |
|--|--------------------|---------|--------------------|----------------------------|------------------------|-----------------------------|-------------------------|
| NKZ41H-C NKZ44H-C NKZ941H-C NKZ944H-C | WCB | 2Cr13 | 25 | H:合金钢 H: alloy steel | 铝青铜 Aluminum bronze | 膨胀复合石墨 Expanded Graphite | 优质碳钢 HQ carbon steel |
| NKZ41H-I NKZ44H-I NKZ941H-I NKZ944H-I | 铬钼钢 Cr.Mo steel | 25CrMoV | 铬钼钢 Cr.Mo steel | Y:硬质合金 Y: Carbide | 铝青铜 Aluminum bronze | 膨胀复合石墨 Expanded Graphite | 铬钼钢 Cr.Mo steel |

• 真空隔离闸阀

NKZ41(H)/NKZ44H-10C,16C,25,40,64,100 NKZ44Y-10I,16I,25I,40I,64I,100I

主要外形尺寸和连接尺寸 Main Dimensions And Connection Dimensions

| 公称通径 DN(mm) | L | H | D | D1 | D2 | b | f | z-d | W | 附法兰尺寸(mm) With flange size | | |
|----------------|------|------|------|-----|-----|----|---|-------|-----|-------------------------------|-----|-----|
| | | | | | | | | | | h | D0 | DN |
| 1.0MPa | | | | | | | | | | | | |
| 50 | 250 | 345 | 160 | 125 | 100 | 16 | 3 | 4-18 | 250 | 45 | 49 | 58 |
| 65 | 270 | 395 | 180 | 145 | 120 | 18 | 3 | 4-18 | 250 | 48 | 64 | 75 |
| 80 | 280 | 425 | 195 | 160 | 135 | 20 | 3 | 4-18 | 300 | 50 | 78 | 97 |
| 100 | 300 | 510 | 215 | 180 | 155 | 20 | 3 | 8-18 | 300 | 52 | 96 | 110 |
| 125 | 325 | 570 | 245 | 210 | 185 | 22 | 3 | 8-18 | 350 | 60 | 120 | 136 |
| 150 | 350 | 725 | 280 | 240 | 210 | 24 | 3 | 8-18 | 350 | 60 | 145 | 163 |
| 200 | 400 | 820 | 335 | 295 | 265 | 26 | 3 | 8-18 | 400 | 62 | 202 | 223 |
| 250 | 450 | 890 | 390 | 350 | 320 | 28 | 3 | 12-23 | 400 | 62 | 225 | 278 |
| 300 | 500 | 1070 | 440 | 400 | 368 | 28 | 3 | 12-23 | 450 | 65 | 303 | 330 |
| 350 | 550 | 1320 | 500 | 460 | 428 | 30 | 4 | 16-23 | 550 | 65 | 351 | 382 |
| 400 | 600 | 1450 | 565 | 515 | 482 | 32 | 4 | 16-25 | 550 | 65 | 398 | 432 |
| 450 | 650 | 1560 | 615 | 565 | 532 | 32 | 4 | 20-25 | 600 | 70 | 460 | 485 |
| 500 | 700 | 1720 | 670 | 620 | 585 | 34 | 4 | 20-25 | 650 | 78 | 500 | 535 |
| 600 | 800 | 1880 | 780 | 725 | 685 | 36 | 5 | 20-30 | 700 | 90 | 600 | 636 |
| 700 | 900 | 2085 | 895 | 840 | 800 | 40 | 5 | 24-30 | 750 | 90 | 690 | 726 |
| 800 | 1000 | 2590 | 1010 | 950 | 905 | 44 | 5 | 24-34 | 800 | 106 | 790 | 826 |
| 1.6MPa | | | | | | | | | | | | |
| 50 | 250 | 345 | 160 | 125 | 100 | 16 | 3 | 4-18 | 250 | 48 | 49 | 58 |
| 65 | 270 | 395 | 180 | 145 | 120 | 18 | 3 | 4-18 | 250 | 50 | 64 | 75 |
| 80 | 280 | 425 | 195 | 160 | 135 | 20 | 3 | 8-18 | 300 | 52 | 78 | 91 |
| 100 | 300 | 510 | 215 | 180 | 155 | 20 | 3 | 8-18 | 300 | 52 | 96 | 110 |
| 125 | 325 | 570 | 245 | 210 | 185 | 22 | 3 | 8-18 | 350 | 60 | 120 | 136 |
| 150 | 350 | 725 | 280 | 240 | 210 | 24 | 3 | 8-23 | 350 | 60 | 145 | 163 |
| 200 | 400 | 820 | 335 | 295 | 265 | 26 | 3 | 12-23 | 400 | 62 | 201 | 223 |
| 250 | 450 | 890 | 405 | 355 | 320 | 30 | 3 | 12-25 | 450 | 68 | 253 | 278 |
| 300 | 500 | 1070 | 460 | 410 | 375 | 30 | 3 | 12-25 | 550 | 70 | 303 | 330 |
| 350 | 550 | 1320 | 520 | 470 | 435 | 34 | 4 | 16-25 | 600 | 78 | 351 | 382 |
| 400 | 600 | 1450 | 580 | 525 | 485 | 36 | 4 | 16-30 | 650 | 90 | 398 | 432 |
| 450 | 650 | 1560 | 640 | 585 | 545 | 40 | 4 | 20-30 | 700 | 95 | 450 | 485 |
| 500 | 700 | 1720 | 705 | 650 | 608 | 44 | 4 | 20-34 | 750 | 98 | 500 | 535 |
| 600 | 800 | 1880 | 840 | 770 | 718 | 48 | 5 | 20-41 | 800 | 105 | 600 | 636 |
| 700 | 900 | 2085 | 910 | 840 | 788 | 50 | 5 | 24-41 | 850 | 110 | 690 | 726 |
| 800 | 1000 | 2590 | 1020 | 950 | 898 | 52 | 5 | 24-41 | 950 | 115 | 790 | 826 |

注：如有产品参数疑问请致电上海电站阀门有限公司详询，电话：021-59222288

Note: If the product parameters, please call our company detailed inquiry, Tel: 021-59222288

Vacuum Isolated Gate Valve

• 真空隔离闸阀

主要外形尺寸和连接尺寸 Main Dimensions And Connection Dimensions

| 公称通径 DN(mm) | L | H | D | D1 | D2 | b | f | z-d | W | 附法兰尺寸(mm) With flange size | | |
|----------------|------|------|------|-----|-----|----|---|-------|------|-------------------------------|-----|-----|
| | | | | | | | | | | h | D0 | DN |
| 2.5MPa | | | | | | | | | | | | |
| 50 | 250 | 345 | 160 | 125 | 100 | 20 | 3 | 4-18 | 250 | 48 | 49 | 64 |
| 65 | 270 | 395 | 180 | 145 | 120 | 22 | 3 | 8-18 | 250 | 52 | 66 | 82 |
| 80 | 280 | 425 | 195 | 160 | 135 | 22 | 3 | 8-18 | 300 | 55 | 78 | 95 |
| 100 | 300 | 510 | 230 | 190 | 160 | 24 | 3 | 8-23 | 300 | 62 | 100 | 117 |
| 125 | 325 | 570 | 270 | 220 | 188 | 28 | 3 | 8-25 | 350 | 68 | 125 | 144 |
| 150 | 350 | 725 | 300 | 250 | 218 | 30 | 3 | 8-25 | 350 | 72 | 151 | 172 |
| 200 | 400 | 820 | 360 | 310 | 278 | 34 | 3 | 12-25 | 400 | 60 | 201 | 223 |
| 250 | 450 | 890 | 425 | 370 | 332 | 36 | 3 | 12-30 | 450 | 85 | 253 | 278 |
| 300 | 500 | 1070 | 483 | 430 | 390 | 40 | 4 | 16-30 | 550 | 92 | 303 | 330 |
| 350 | 550 | 1320 | 550 | 490 | 448 | 44 | 4 | 16-34 | 650 | 98 | 351 | 382 |
| 400 | | 1450 | 610 | 550 | 505 | 48 | 4 | 16-34 | 700 | 115 | 398 | 432 |
| 450 | 650 | 1560 | 660 | 600 | 555 | 50 | 4 | 20-34 | 750 | 115 | 450 | 483 |
| 500 | 700 | 1720 | 730 | 660 | 610 | 52 | 4 | 20-41 | 800 | 120 | 498 | 535 |
| 600 | 800 | 1880 | 840 | 770 | 718 | 56 | 5 | 20-41 | 850 | 130 | 598 | 636 |
| 700 | 900 | 2085 | 955 | 875 | 815 | 60 | 5 | 24-48 | 900 | 140 | 688 | 726 |
| 800 | 1000 | 2590 | 1070 | 990 | 930 | 64 | 5 | 24-48 | 1000 | 150 | 788 | 826 |

主要外形尺寸和连接尺寸 Main Dimensions And Connection Dimensions

| 公称通径 (mm) | L | H | D | D1 | D2 | b | f | D6 | f2 | z-d | W | 附法兰尺寸(mm) | | |
|--------------|-----|------|-----|-----|-----|----|---|-----|-----|-------|-----|-----------|-----|-----|
| | | | | | | | | | | | | h | D0 | DN |
| 4.0MPa | | | | | | | | | | | | | | |
| 50 | 250 | 345 | 160 | 125 | 100 | 20 | 3 | 88 | 4 | 4-18 | 300 | 48 | 48 | 64 |
| 65 | 270 | 395 | 180 | 145 | 120 | 22 | 3 | 110 | 4 | 8-18 | 300 | 52 | 66 | 82 |
| 80 | 280 | 425 | 195 | 160 | 135 | 22 | 3 | 121 | 4 | 8-18 | 350 | 58 | 78 | 95 |
| 100 | 300 | 510 | 230 | 190 | 160 | 24 | 3 | 150 | 4.5 | 8-23 | 350 | 68 | 100 | 117 |
| 125 | 325 | 570 | 270 | 220 | 188 | 28 | 3 | 176 | 4.5 | 8-25 | 400 | 68 | 125 | 144 |
| 150 | 350 | 725 | 300 | 250 | 218 | 30 | 3 | 204 | 4.5 | 8-25 | 400 | 72 | 151 | 172 |
| 200 | 400 | 820 | 375 | 320 | 282 | 38 | 3 | 260 | 4.5 | 12-30 | 450 | 88 | 199 | 223 |
| 250 | 450 | 890 | 445 | 385 | 345 | 42 | 3 | 313 | 4.5 | 12-34 | 550 | 102 | 251 | 278 |
| 300 | 500 | 1070 | 510 | 450 | 408 | 46 | 4 | 364 | 4.5 | 16-34 | 650 | 116 | 301 | 330 |
| 350 | 550 | 1320 | 570 | 510 | 465 | 52 | 4 | 422 | 5 | 16-34 | 750 | 120 | 349 | 382 |
| 400 | 600 | 1450 | 655 | 585 | 535 | 58 | 4 | 474 | 5 | 16-41 | 850 | 142 | 396 | 432 |

注：如有产品参数疑问请致电上海电站阀门有限公司详询，电话：021-59222288

Note: If the product parameters, please call our company detailed inquiry, Tel: 021-59222288

• 真空隔离闸阀

主要外形尺寸和连接尺寸 Main Dimensions And Connection Dimensions

| 公称通径 DN(mm) | L | H | D | D1 | D2 | b | f | D6 | f2 | z-d | W | 附法兰尺寸(mm) With flange size | | |
|----------------|-----|------|-----|-----|-----|----|---|-----|-----|-------|-----|-------------------------------|-----|-----|
| | | | | | | | | | | | | h | D0 | DN |
| 6.4MPa | | | | | | | | | | | | | | |
| 50 | 250 | 350 | 175 | 135 | 105 | 26 | 3 | 88 | 4 | 4-23 | 300 | 70 | 48 | 64 |
| 65 | 280 | 405 | 200 | 160 | 130 | 28 | 3 | 110 | 4 | 8-23 | 300 | 75 | 65 | 82 |
| 80 | 310 | 435 | 210 | 170 | 140 | 30 | 3 | 121 | 4 | 8-23 | 350 | 75 | 76 | 95 |
| 100 | 350 | 515 | 250 | 200 | 168 | 32 | 3 | 150 | 4.5 | 8-25 | 400 | 88 | 98 | 117 |
| 125 | 400 | 580 | 295 | 240 | 202 | 36 | 3 | 176 | 4.5 | 8-30 | 400 | 98 | 128 | 150 |
| 150 | 450 | 735 | 340 | 280 | 240 | 38 | 3 | 204 | 4.5 | 8-34 | 450 | 110 | 149 | 172 |
| 200 | 550 | 835 | 405 | 345 | 300 | 44 | 3 | 260 | 4.5 | 12-34 | 550 | 116 | 197 | 223 |
| 250 | 650 | 905 | 470 | 400 | 352 | 48 | 3 | 313 | 4.5 | 12-41 | 650 | 122 | 245 | 278 |
| 300 | 750 | 1080 | 530 | 460 | 412 | 54 | 4 | 364 | 4.5 | 16-41 | 750 | 136 | 293 | 330 |
| 350 | 850 | 1340 | 595 | 525 | 475 | 60 | 4 | 422 | 5 | 16-41 | 800 | 154 | 341 | 382 |
| 400 | 950 | 1460 | 670 | 585 | 525 | 66 | 4 | 474 | 5 | 16-48 | 900 | 170 | 386 | 432 |

主要外形尺寸和连接尺寸 Main Dimensions And Connection Dimensions

| 公称通径 DN(mm) | L | H | D | D1 | D2 | b | f | D6 | f2 | z-d | W | 附法兰尺寸(mm) With flange size | | |
|----------------|-----|------|-----|-----|-----|----|---|-----|-----|-------|-----|-------------------------------|-----|-----|
| | | | | | | | | | | | | h | D0 | DN |
| 10.0MPa | | | | | | | | | | | | | | |
| 50 | 250 | 350 | 195 | 145 | 112 | 28 | 3 | 88 | 4 | 4-25 | 300 | 72 | 48 | 64 |
| 65 | 280 | 405 | 220 | 170 | 138 | 32 | 3 | 110 | 4 | 8-25 | 300 | 84 | 63 | 82 |
| 80 | 310 | 435 | 230 | 180 | 148 | 34 | 3 | 121 | 4 | 8-25 | 350 | 90 | 74 | 95 |
| 100 | 350 | 515 | 265 | 210 | 172 | 38 | 3 | 150 | 4.5 | 8-30 | 400 | 100 | 97 | 117 |
| 125 | 400 | 580 | 310 | 250 | 210 | 42 | 3 | 176 | 4.5 | 8-34 | 400 | 115 | 124 | 150 |
| 150 | 450 | 735 | 350 | 290 | 250 | 46 | 3 | 204 | 4.5 | 12-34 | 450 | 130 | 144 | 172 |
| 200 | 550 | 835 | 430 | 360 | 312 | 54 | 3 | 260 | 4.5 | 12-41 | 550 | 145 | 189 | 223 |
| 250 | 650 | 905 | 500 | 430 | 382 | 60 | 3 | 313 | 4.5 | 12-41 | 650 | 170 | 235 | 278 |
| 300 | 750 | 1080 | 585 | 500 | 442 | 70 | 4 | 364 | 4.5 | 16-48 | 750 | 195 | 281 | 330 |
| 350 | 850 | 1340 | 655 | 560 | 498 | 76 | 4 | 422 | 5 | 16-54 | 850 | 210 | 333 | 382 |
| 400 | 950 | 1460 | 715 | 620 | 558 | 80 | 4 | 474 | 5 | 16-54 | 950 | 220 | 376 | 432 |

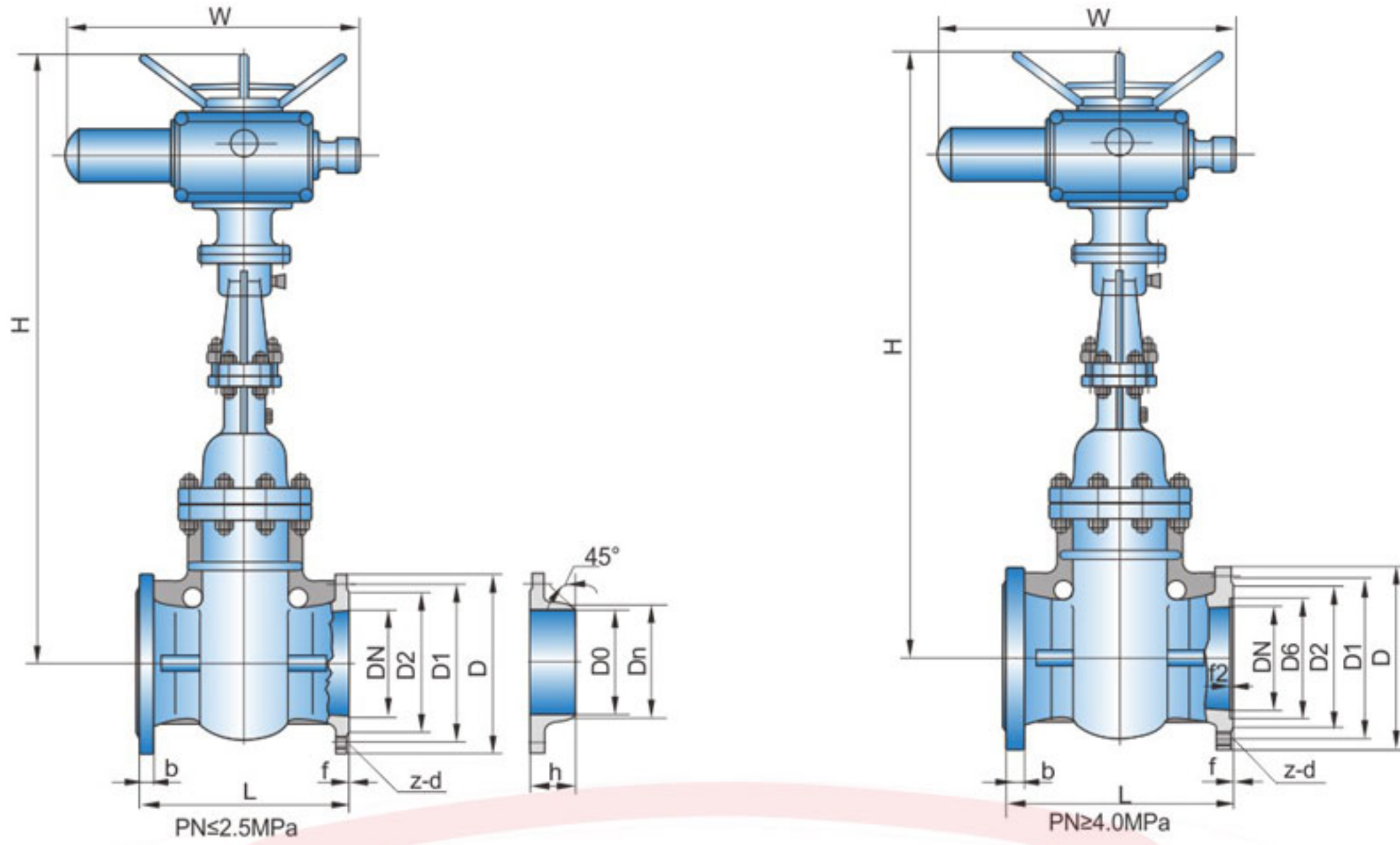
注：如有产品参数疑问请致电上海电站阀门有限公司详询，电话：021-59222288

Note: If the product parameters, please call our company detailed inquiry, Tel: 021-59222288

Vacuum Isolated Gate Valve

• 真空隔离闸阀

NKZ941(H)/NKZ944H-10C,16C,25,40,64,100 NKZ944Y-10I,16I,25I,40I,64I,100I



主要外形尺寸和连接尺寸 Main Dimensions And Connection Dimensions

| DN (mm) | L | H | D | D1 | D2 | b | f | D6 | f2 | z-d | W | 电装 Electric actuator | 附法兰尺寸(mm) With flange size | | |
|---------------|------|------|------|-----|-----|----|---|----|----|-------|------|----------------------------|-------------------------------|-----|-----|
| | | | | | | | | | | | | | h | D0 | DN |
| 1.0MPa | | | | | | | | | | | | | | | |
| 50 | 250 | 618 | 160 | 125 | 100 | 16 | 3 | / | / | 4-18 | 562 | DZW10 | 45 | 49 | 58 |
| 65 | 270 | 670 | 180 | 145 | 120 | 18 | 3 | / | / | 4-18 | 562 | DZW10 | 48 | 64 | 75 |
| 80 | 280 | 700 | 195 | 160 | 135 | 20 | 3 | / | / | 4-18 | 562 | DZW10 | 50 | 78 | 91 |
| 100 | 300 | 785 | 215 | 180 | 155 | 20 | 3 | / | / | 8-18 | 562 | DZW10 | 52 | 96 | 110 |
| 125 | 325 | 845 | 245 | 210 | 185 | 22 | 3 | / | / | 8-18 | 607 | DZW15 | 60 | 120 | 136 |
| 150 | 350 | 990 | 280 | 240 | 210 | 24 | 3 | / | / | 8-23 | 607 | DZW15 | 60 | 145 | 163 |
| 200 | 400 | 1080 | 335 | 295 | 265 | 26 | 3 | / | / | 8-23 | 607 | DZW20 | 62 | 201 | 223 |
| 250 | 450 | 1150 | 390 | 350 | 320 | 28 | 3 | / | / | 12-23 | 607 | DZW20 | 65 | 253 | 278 |
| 300 | 500 | 1415 | 440 | 400 | 368 | 28 | 3 | / | / | 12-23 | 755 | DZW45 | 65 | 303 | 330 |
| 350 | 550 | 1665 | 500 | 460 | 428 | 30 | 4 | / | / | 16-23 | 755 | DZW45 | 65 | 351 | 382 |
| 400 | 600 | 1795 | 565 | 515 | 482 | 32 | 4 | / | / | 16-25 | 755 | DZW60 | 65 | 398 | 432 |
| 450 | 650 | 1920 | 615 | 565 | 532 | 32 | 4 | / | / | 20-25 | 825 | DZW90 | 70 | 450 | 485 |
| 500 | 700 | 2080 | 670 | 620 | 585 | 34 | 4 | / | / | 20-25 | 825 | DZW90 | 78 | 500 | 535 |
| 600 | 800 | 2380 | 780 | 725 | 685 | 36 | 5 | / | / | 20-30 | 925 | DZW180 | 90 | 600 | 636 |
| 700 | 900 | 2585 | 895 | 840 | 800 | 40 | 5 | / | / | 24-30 | 925 | DZW180 | 90 | 690 | 726 |
| 800 | 1000 | 3090 | 1010 | 950 | 905 | 44 | 5 | / | / | 24-30 | 925 | DZW250 | 106 | 790 | 826 |
| 1.6MPa | | | | | | | | | | | | | | | |
| 50 | 250 | 618 | 160 | 125 | 100 | 16 | 3 | / | / | 4-18 | 562 | DZW10 | 48 | 49 | 58 |
| 65 | 270 | 618 | 180 | 145 | 120 | 18 | 3 | / | / | 4-18 | 562 | DZW10 | 50 | 64 | 75 |
| 80 | 280 | 700 | 195 | 160 | 135 | 20 | 3 | / | / | 8-18 | 562 | DZW10 | 52 | 78 | 91 |
| 100 | 300 | 785 | 215 | 180 | 155 | 20 | 3 | / | / | 8-18 | 607 | DZW15 | 52 | 96 | 110 |
| 125 | 325 | 845 | 245 | 210 | 185 | 22 | 3 | / | / | 8-18 | 607 | DZW15 | 60 | 120 | 136 |
| 150 | 350 | 990 | 280 | 240 | 210 | 24 | 3 | / | / | 8-23 | 607 | DZW20I | 60 | 145 | 163 |
| 200 | 400 | 1080 | 335 | 295 | 265 | 26 | 3 | / | / | 12-23 | 607 | DZW20 | 62 | 201 | 223 |
| 250 | 450 | 1150 | 403 | 355 | 320 | 30 | 3 | / | / | 12-25 | 607 | DZW30 | 68 | 253 | 278 |
| 300 | 500 | 1415 | 460 | 410 | 375 | 30 | 3 | / | / | 12-25 | 755 | DZW45 | 70 | 303 | 330 |
| 350 | 550 | 1665 | 520 | 470 | 435 | 34 | 4 | / | / | 16-25 | 755 | DZW60 | 78 | 351 | 382 |
| 400 | 600 | 1795 | 580 | 525 | 485 | 36 | 4 | / | / | 16-30 | 755 | DZW60 | 90 | 398 | 432 |
| 450 | 650 | 1920 | 640 | 585 | 545 | 40 | 4 | / | / | 20-30 | 825 | DZW90 | 95 | 450 | 485 |
| 500 | 700 | 2080 | 705 | 650 | 608 | 44 | 4 | / | / | 20-34 | 825 | DZW120 | 198 | 500 | 535 |
| 600 | 800 | 2380 | 840 | 770 | 718 | 48 | 5 | / | / | 20-41 | 925 | DZW180 | 105 | 600 | 636 |
| 700 | 900 | 2585 | 910 | 840 | 788 | 50 | 5 | / | / | 24-41 | 925 | DZW250 | 110 | 690 | 726 |
| 800 | 1000 | 3090 | 1020 | 950 | 898 | 52 | 5 | / | / | 24-41 | 1162 | DZW350 | 115 | 790 | 826 |

• 真空隔离闸阀

主要外形尺寸和连接尺寸 Main Dimensions And Connection Dimensions

| 公称通径 DN(mm) | L | H | D | D1 | D2 | b | f | D6 | f2 | z-d | W | 电动装置 Electric actuator | 附法兰尺寸(mm) With flange size | | |
|----------------|------|------|------|-----|-----|----|---|-----|-----|-------|------|------------------------------|-------------------------------|-----|-----|
| | | | | | | | | | | | | | h | D0 | DN |
| 2.5MPa | | | | | | | | | | | | | | | |
| 50 | 25 | 618 | 160 | 125 | 100 | 20 | 3 | / | / | 4-18 | 562 | DZW10 | 48 | 49 | 64 |
| 65 | 270 | 618 | 180 | 145 | 120 | 22 | 3 | / | / | 8-18 | 562 | DZW10 | 52 | 66 | 82 |
| 80 | 280 | 700 | 195 | 160 | 135 | 22 | 3 | / | / | 8-18 | 562 | DZW10 | 55 | 78 | 95 |
| 100 | 300 | 785 | 230 | 190 | 160 | 24 | 3 | / | / | 8-23 | 607 | DZW15 | 62 | 100 | 117 |
| 125 | 325 | 845 | 270 | 220 | 188 | 28 | 3 | / | / | 8-25 | 607 | DZW20I | 68 | 125 | 144 |
| 150 | 350 | 990 | 300 | 250 | 218 | 30 | 3 | / | / | 8-25 | 607 | DZW20I | 72 | 151 | 172 |
| 200 | 400 | 1080 | 360 | 310 | 278 | 34 | 3 | / | / | 12-25 | 607 | DZW30 | 80 | 201 | 223 |
| 250 | 450 | 1150 | 425 | 370 | 332 | 36 | 3 | / | / | 12-30 | 607 | DZW30 | 85 | 253 | 278 |
| 300 | 500 | 1415 | 485 | 430 | 390 | 40 | 4 | / | / | 16-30 | 755 | DZW45 | 92 | 303 | 330 |
| 350 | 550 | 1665 | 550 | 490 | 448 | 44 | 4 | / | / | 16-34 | 755 | DZW60 | 98 | 351 | 382 |
| 400 | 600 | 1815 | 610 | 550 | 505 | 48 | 4 | / | / | 16-34 | 825 | DZW90 | 115 | 398 | 432 |
| 450 | 650 | 1920 | 660 | 600 | 555 | 50 | 4 | / | / | 30-34 | 825 | DZW120 | 115 | 450 | 485 |
| 500 | 700 | 2080 | 730 | 660 | 610 | 52 | 4 | / | / | 30-41 | 825 | DZW120 | 120 | 498 | 535 |
| 600 | 800 | 2380 | 840 | 770 | 718 | 56 | 5 | / | / | 30-41 | 925 | DZW180 | 130 | 598 | 631 |
| 700 | 900 | 2585 | 955 | 875 | 815 | 60 | 5 | / | / | 24-48 | 925 | DZW250 | 140 | 688 | 726 |
| 800 | 1000 | 3180 | 1070 | 990 | 930 | 64 | 5 | / | / | 24-48 | 1162 | DZW350 | 150 | 788 | 826 |
| 4.0MPa | | | | | | | | | | | | | | | |
| 80 | 280 | 700 | 95 | 160 | 135 | 22 | 3 | 121 | 4 | 8-18 | 607 | DZW15 | 58 | 78 | 95 |
| 100 | 300 | 785 | 230 | 190 | 160 | 24 | 3 | 150 | 4.5 | 8-23 | 607 | DZW20 | 68 | 100 | 117 |
| 125 | 325 | 845 | 270 | 220 | 188 | 28 | 3 | 176 | 4.5 | 8-25 | 607 | DZW20I | 68 | 125 | 144 |
| 150 | 350 | 990 | 300 | 250 | 218 | 30 | 3 | 204 | 4.5 | 8-25 | 607 | DZW30 | 72 | 151 | 172 |
| 200 | 400 | 1080 | 375 | 320 | 282 | 38 | 3 | 260 | 4.5 | 12-30 | 607 | DZW30 | 88 | 199 | 223 |
| 250 | 450 | 1240 | 445 | 385 | 345 | 42 | 3 | 313 | 4.5 | 12-34 | 755 | DZW45 | 102 | 251 | 278 |
| 300 | 500 | 1415 | 510 | 450 | 408 | 46 | 4 | 364 | 4.5 | 16-34 | 755 | DZW60 | 116 | 301 | 330 |
| 350 | 550 | 1685 | 570 | 510 | 465 | 52 | 4 | 422 | 5 | 16-34 | 825 | DZW90I | 120 | 349 | 382 |
| 400 | 600 | 1815 | 655 | 585 | 535 | 58 | 4 | 474 | 5 | 16-41 | 825 | DZW120 | 142 | 396 | 432 |
| 6.4MPa | | | | | | | | | | | | | | | |
| 80 | 310 | 710 | 210 | 170 | 140 | 30 | 3 | 121 | 4 | 8-23 | 925 | DZW20I | 75 | 76 | 95 |
| 100 | 350 | 790 | 250 | 200 | 168 | 32 | 3 | 150 | 4.5 | 8-25 | 607 | DZW20I | 88 | 98 | 117 |
| 125 | 400 | 855 | 295 | 240 | 202 | 36 | 3 | 176 | 4.5 | 8-30 | 607 | DZW30 | 98 | 128 | 151 |
| 150 | 450 | 1000 | 340 | 280 | 240 | 38 | 3 | 204 | 4.5 | 8-34 | 607 | DZW30 | 110 | 149 | 172 |
| 200 | 550 | 1185 | 405 | 345 | 300 | 44 | 3 | 260 | 4.5 | 12-34 | 755 | DZW45 | 116 | 197 | 223 |
| 250 | 650 | 1255 | 470 | 400 | 352 | 48 | 3 | 313 | 4.5 | 12-41 | 755 | DZW60 | 122 | 245 | 278 |
| 300 | 750 | 1445 | 530 | 460 | 412 | 54 | 4 | 364 | 4.5 | 16-41 | 825 | DZW90I | 136 | 293 | 330 |
| 350 | 850 | 1705 | 595 | 525 | 475 | 60 | 4 | 422 | 5 | 16-41 | 825 | DZW120I | 154 | 341 | 382 |
| 400 | 950 | 1985 | 670 | 585 | 525 | 66 | 4 | 474 | 5 | 16-48 | 925 | DZW180 | 170 | 386 | 432 |
| 10.0MPa | | | | | | | | | | | | | | | |
| 80 | 310 | 710 | 230 | 180 | 148 | 34 | 3 | 121 | 4 | 8-25 | 607 | DZW20I | 90 | 74 | 95 |
| 100 | 350 | 790 | 265 | 210 | 172 | 38 | 3 | 150 | 4.5 | 8-30 | 607 | DZW30I | 100 | 97 | 117 |
| 125 | 400 | 855 | 310 | 250 | 210 | 42 | 3 | 176 | 4.5 | 8-33 | 607 | DZW30 | 115 | 124 | 150 |
| 150 | 450 | 1090 | 350 | 290 | 250 | 46 | 3 | 204 | 4.5 | 12-34 | 755 | DZW45 | 130 | 144 | 172 |
| 200 | 550 | 1185 | 430 | 360 | 312 | 54 | 3 | 260 | 4.5 | 12-41 | 755 | DZW60 | 145 | 189 | 223 |
| 250 | 650 | 1275 | 500 | 430 | 382 | 60 | 3 | 313 | 4.5 | 12-41 | 825 | DZW90I | 170 | 235 | 278 |
| 300 | 750 | 1445 | 585 | 500 | 442 | 70 | 4 | 364 | 4.5 | 16-48 | 825 | DZW120I | 195 | 281 | 330 |
| 350 | 850 | 1870 | 655 | 560 | 498 | 76 | 4 | 422 | 5 | 16-54 | 925 | DZW180 | 210 | 333 | 382 |
| 400 | 950 | 1985 | 715 | 620 | 558 | 80 | 4 | 474 | 5 | 16-54 | 925 | DZW250 | 220 | 376 | 432 |