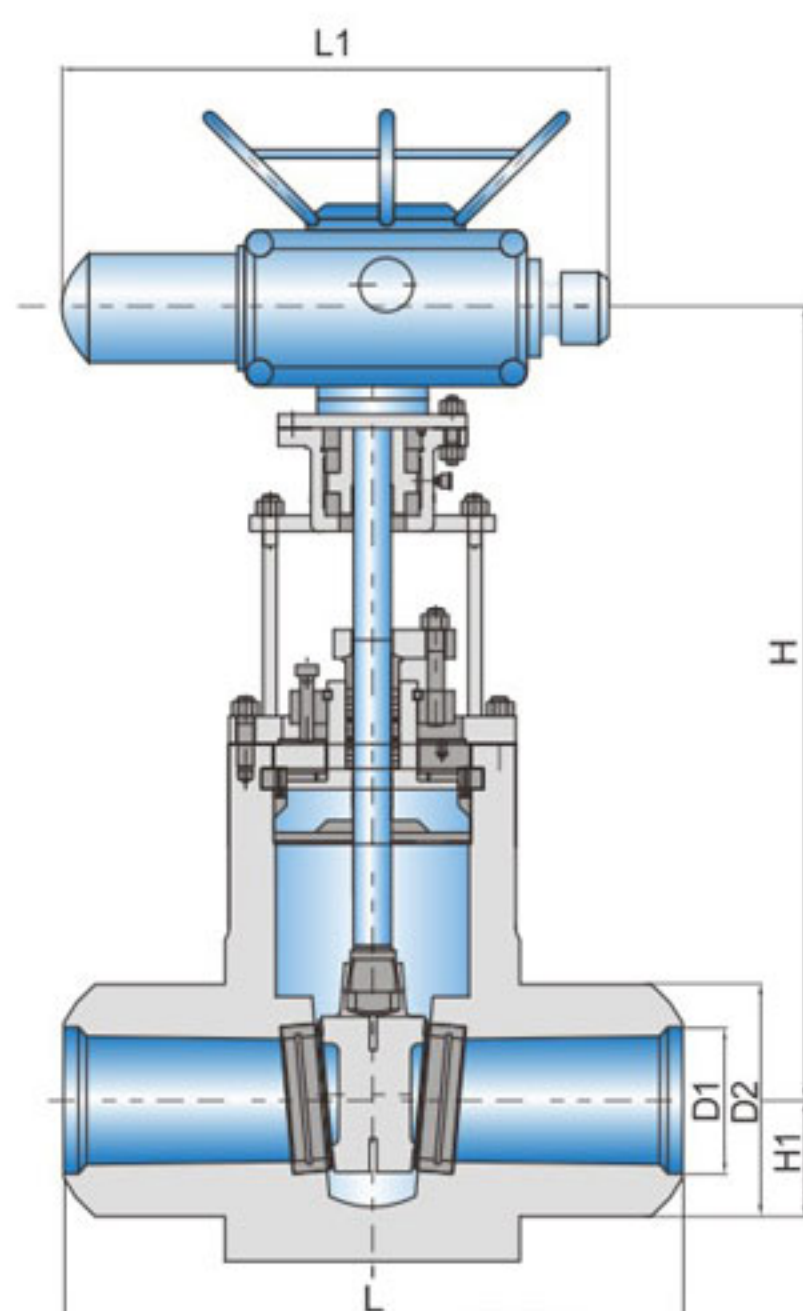


• 电动锻造闸阀

SDFZ960Y, SDFZ962Y



主要零件材料 Material Formain Parts

名称 Name	SDFZ960Y-320 SDFZ962Y-320 SDFZ960Y-420 SDFZ962Y-420	SDFZ960Y-P54140V SDFZ962Y-P57140V SDFZ960Y-P54170V SDFZ962Y-P57170V
阀体 Body	25#锻钢 Forged steel	12Cr1MoV, F91, F92, WB36
阀座 Seat	25#锻钢 Forged steel	12Cr1MoV, F91, F92, WB36
阀瓣 Discs	25#锻钢 Forged steel	12Cr1MoV, F91, F92, WB36
阀盖 Cap	25#锻钢 Forged steel	12Cr1MoV, F91, F92, WB36
阀杆 Stem	2Cr13	25Cr2MoV, F91, F92

主要外形尺寸和连接尺寸 Main Dimensions And Connection Dimensions

DN	L	H	H1	L1	D1	D2	配管尺寸 fitted pipe size	重量(kg)
型号:SDFZ960Y-320(锻造) SDFZ962Y-320(锻造)								
150	450	1270	175	985	164	198	Φ194×15	509.7
175	550	1353	230	946	186	225	Φ219×16	786
225	550	1368	220	946	232	275	Φ273×20	795
型号:SDFZ960Y-420(锻造) SDFZ962Y-420(锻造)								
225	550	1350	230	1030	221	275	Φ273×26	1097
型号:SDFZ960Y-P54140V(锻造) SDFZ962Y-P54140V(锻造)								
150	450	1270	175	946	158	198	Φ194×15	510
225	550	1368	220	946	232	278	Φ273×20	795
型号:SDFZ960Y-P57170V(锻造) SDFZ962Y-P57170V(锻造)								
175	550	1358	230	946	179	222	Φ219×20	786
225	550	1350	230	1030	221	275	Φ273×26	1097

注：如有产品参数疑问请致电上海电站阀门有限公司详询，电话：021-59222288

Note: If the product parameters, please call our company detailed inquiry, Tel: 021-59222288