

• API截止阀

J41H-CL150/CL300/CL600

结构特点与用途 Structural Features And Uses

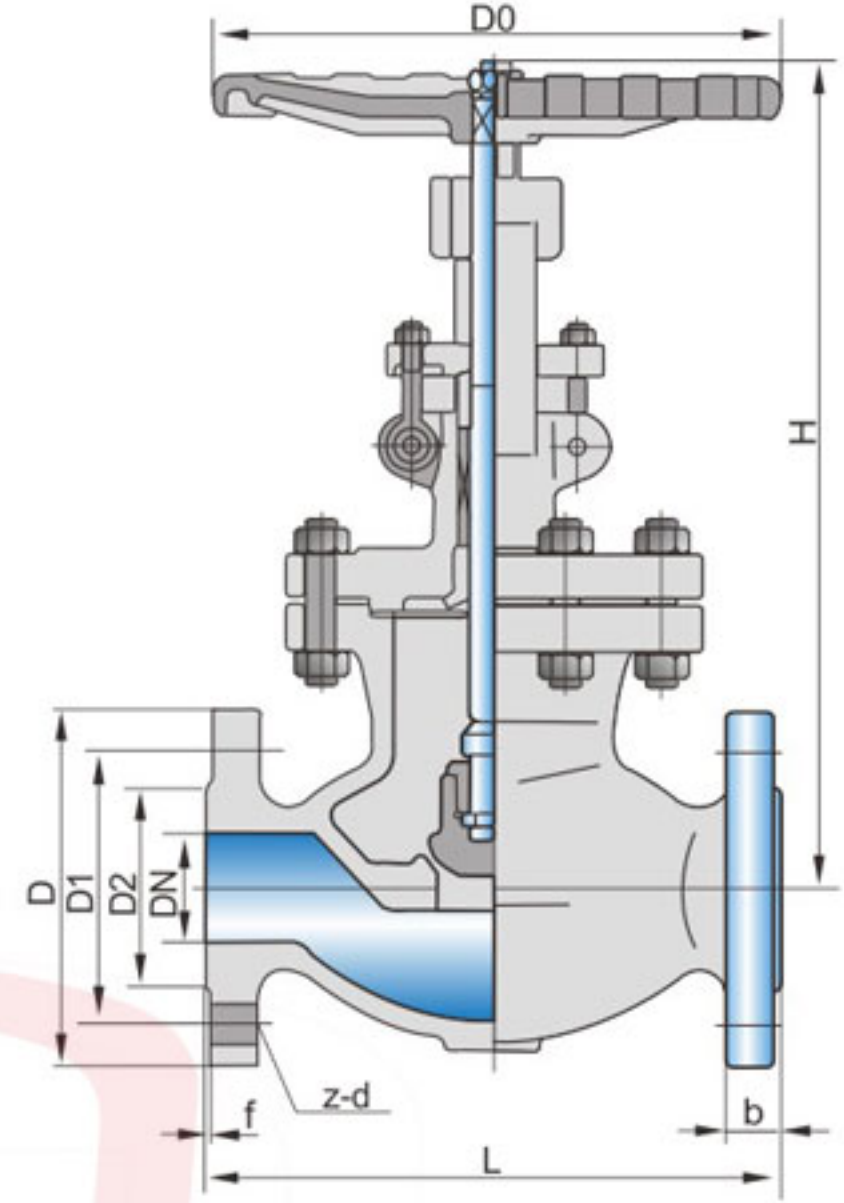
该产品严格按API标准进行设计、制造和验收，结构紧凑、密封可靠、操作灵活，适用于石油化工、电力、冶金、纺织等工业部门。
The product is designed and manufactured in strict accordance with API standards, compact structure, reliable sealing, flexible operation, suitable for petrochemical, power, metallurgy, textile and other industrial sectors

试验压力 Test Pressure

试验压力(MPa) test pressure		公称压力PN(LB)		
		150LB	300LB	600LB
壳体强度试验 Shell strength test	水 water	3.1	7.8	15
高压密封试验 High pressure sealing test		2.2	5.6	11
上密封试验 On the seal test		2.2	5.6	11
低压密封试验 Low pressure seal test	空气 gas	0.5~0.7		

主要零件材料 Material Formain Parts

阀体材料 Body material	WCB(C)	CF8(P)	CF8M(R)	WC6, WC9(V)	CF3(P)	CF3M(R)
工作温度(°C) working temp	≤425	≤275	≤275	≤550	≤200	≤200
适用介质 Applicable media	水、蒸汽、油品 Water, steam, oil	硝酸类 Nitric acid	醋酸类 Acetic acid	水、蒸汽 Water, steam	酸碱 Acid and alkali	酸碱 Acid and alkali



主要外形尺寸和连接尺寸 Main Dimensions And Connection Dimensions

公称通径NPS in	mm	单位 unit	L	D	D1	D2	b	f	z-d	D0	H	重量WT(kg)
CL150												
2"	50	in	8.00	6.00	4.75	3.62	0.75	0.06	4-0.75	7.09	13.78	24
		mm	203	152	120.7	92	19.5	1.6	4-19	180	350	
3"	80	in	9.5	7.50	6.00	5.00	0.94	0.06	4-0.75	11.02	15.91	38
		mm	241	190.5	152.5	127	24	1.6	4-19	280	404	
4"	100	in	11.50	9.00	7.50	6.19	0.94	0.06	8-0.75	11.02	17.87	54
		mm	292	229	190.5	157	24	1.6	8-19	280	454	
6"	150	in	16.00	11.00	9.50	8.50	1.00	0.06	8-0.88	12.60	19.33	104
		mm	406	279	241.5	216	25.5	1.6	8-22.5	320	491	
8"	200	in	19.50	13.50	11.75	10.62	1.12	0.06	8-0.88	14.17	21.54	133
		mm	495	343	298.5	270	29	1.6	8-22.5	360	547	
CL300												
2"	50	in	10.50	6.50	5.00	3.62	0.88	0.06	8-0.75	7.78	16.30	34
		mm	267	165	127	92	22.5	1.6	8-19	200	414	
2 1/2"	65	in	11.50	7.50	5.88	4.12	1.00	0.06	8-0.88	9.45	18.35	46
		mm	292	190.5	149.3	105	25.5	1.6	8-22.5	240	466	
3"	80	in	12.50	8.25	6.62	5.00	1.12	0.06	8-0.88	11.02	18.35	56
		mm	318	210	168	127	29	1.6	8-22.5	280	466	
4"	100	in	14.00	10.00	7.88	6.19	1.25	0.06	8-0.88	12.60	20.79	80
		mm	356	254	200	157	32	1.6	8-22.5	320	528	
6"	150	in	17.50	12.50	10.62	8.50	1.44	0.06	12-0.88	17.32	26.70	154
		mm	445	317.5	269.7	216	37	1.6	12-22.5	440	678	
CL600												
2"	50	in	11.5	6.5	5	3.62	1	1	8-87	9.78	16.93	32
		mm	292	165	127	92.1	26	26	8-20	250	430	
3"	80	in	14	8.25	6.62	5	1.25	1.25	8-0.97	14	20.87	60
		mm	356	210	168.3	127	32	32	8-23	355	530	
4"	100	in	17	10.75	8.5	6.18	1.5	1.5	8-1.00	17.75	25.56	100
		mm	432	273	216	157.2	38.1	38.1	8-25	450	650	
6"	150	in	22.00	14.00	11.50	8.5	1.87	1.87	12-1.12	22.00	33.43	190
		mm	559	356	292	216	48	48	12-29	560	850	
8"	200	in	26.00	16.50	13.75	10.62	2.18	2.18	12-1.25	24.81	41.31	310
		mm	660	419	350	270	55.6	55.6	12-32	630	1050	