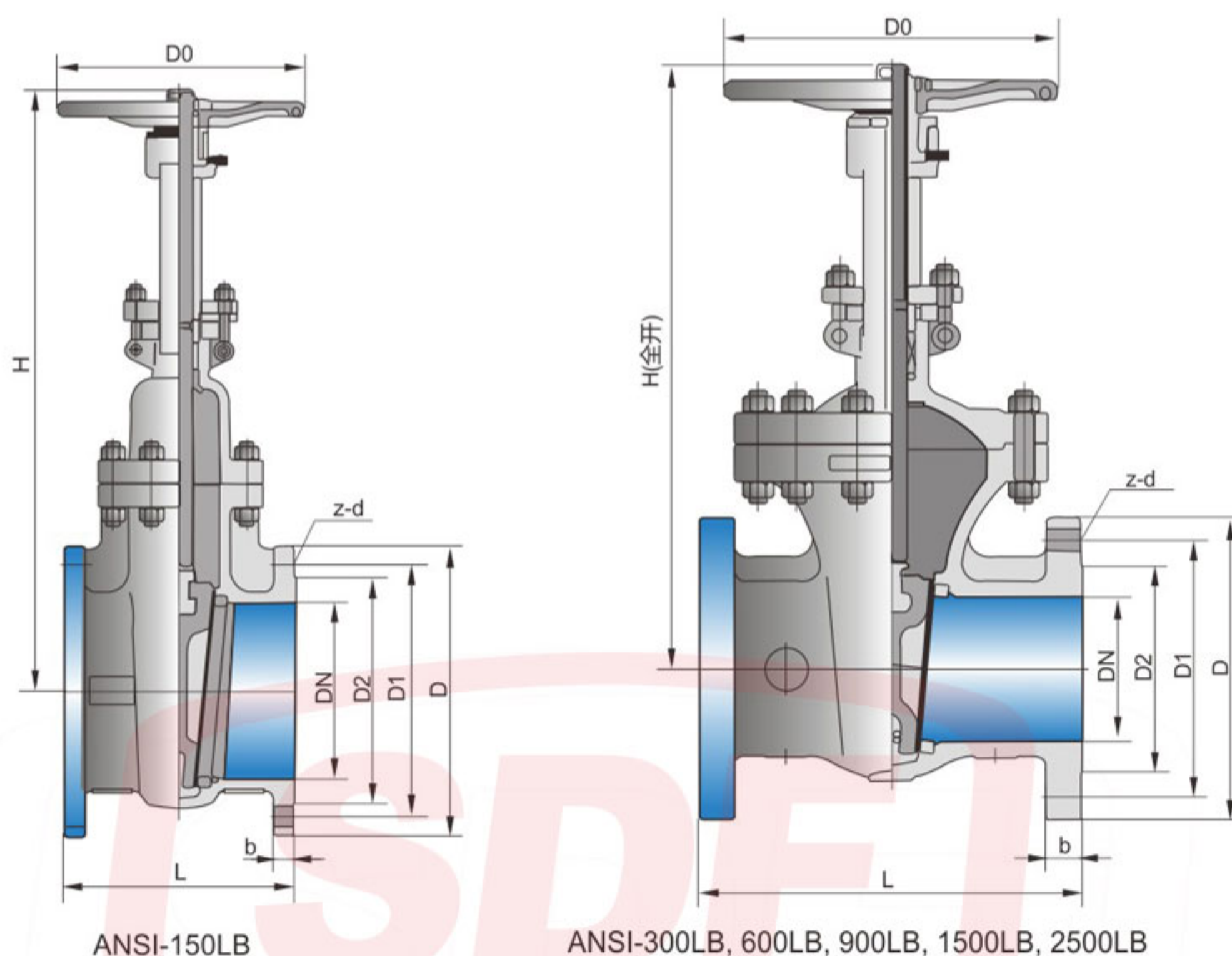


• API 闸阀

Z40H-CL150/CL300/CL600 Z41H-CL900/CL1500/CL2500



制造验收技术标准

设计标准按API 600
结构长度按API B16.10
法兰标准按API B16.5
试验标准按API 598

Manufacturing Acceptance Technical Standards

Design Criteria Press API 600
Structure length by API B16.10
Flange Standard Press API B16.5
Test standard according to API 598

主要性能规范 Main Performance Specifications

试验压力 test pressure	150(LB)	300(LB)	600(LB)	900(LB)	1500(LB)	2500(LB)	适用温度(°C) Applicable Temp	适用介质 Applicable media
壳体强度试验 Shell strength test	3	7.8	15.4	23.1	38.4	64.6	水、蒸汽、油品 Water, steam, oil	≤425°C
密封试验(液) Seal test (hydraulic)	2.2	5.6	11.2	16.8	28.1	47.7		
密封试验(气) Seal test (pneumatic)	0.5-0.7							

主要零件材料 Material Formain Parts

阀体材料 Body material	WCB(C)	CF8(P)	CF8M(R)	WC6, WC9(V)	CF3(P)	CF3M(R)
工作温度(°C) working temp	≤425	≤275	≤275	≤550	≤200	≤200
适用介质 Applicable media	水、蒸汽、油品 Water, steam, oil	硝酸类 HNO3	醋酸类 acetic acid	水、蒸汽 water, steam	醋酸类 acetic acid	醋酸类 acetic acid

注：如有产品参数疑问请致电上海电站阀门有限公司详询，电话：021-59222288

Note: If the product parameters, please call our company detailed inquiry, Tel: 021-59222288

API Gate Valve

• API 闸阀

Z40H-CL150/CL300/CL600 Z41H-CL900/CL1500/CL2500

主要外形尺寸和连接尺寸 Main Dimensions And Connection Dimensions

公称口径NPS		单位 unit	L	H(全开) H(Fully open)	D	D1	D2	b	z-d	D0
in	mm									
Z40H-CL150										
2"	50	in	7.00	16.10	6.00	4.75	3.62	0.75	4-0.75	8.00
		mm	178	409	152	120.5	92	19.1	4-19	200
3"	80	in	8.00	20.00	7.5	6.00	5.00	0.94	4-0.75	10.00
		mm	203	570	190	152.5	127	23.9	4-19	250
4"	100	in	9.00	23.20	9.00	7.50	6.19	0.94	8-0.75	10.00
		mm	229	590	229	190.5	157	23.9	8-19	250
6"	150	in	10.50	24.80	11.00	9.50	8.50	1.00	8-0.88	12.00
		mm	267	630	279	241.5	216	25.4	8-22	300
8"	200	in	11.50	37.80	13.50	11.75	10.62	1.12	8-0.88	13.88
		mm	292	960	343	298.5	270	28.5	8-22	350
10"	250	in	13.00	45.6	16.00	14.25	12.75	1.19	12-1.00	15.70
		mm	330	1158	406	362	324	30.2	12-25	400
12"	300	in	14.00	54.30	19.00	17.00	15.00	1.25	12-1.00	17.70
		mm	356	1378	483	432	381	31.8	12-25	450
14"	350	in	15.00	60.75	21.00	18.75	16.25	1.38	12-1.12	19.7
		mm	381	1543	533	476.5	413	35	12-29	500
16"	400	in	16.00	68.40	23.50	21.25	18.50	1.44	16-1.12	23.60
		mm	406	1738	597	539.5	47	36.6	16-29	600
18"	450	in	17.00	71.10	25.00	22.75	21.00	1.56	16-1.25	23.60
		mm	432	1959	635	578	533	39.7	16-32	600
20"	500	in	18.00	87.20	27.5	25.00	23.00	1.69	20-1.25	26.80
		mm	457	2214	698	635	584	42.9	20-32	680
24"	600	in	20.00	102.3	32.00	29.50	27.25	1.88	20-1.38	29.90
		mm	508	2599	813	749.5	692	47.7	20-35	760
30"	750	in	24.00	125.3	38.75	36.00	33.75	2.94	28-1.38	36.00
		mm	610	3183	985	914	857	74.5	28-35	915
36"	900	in	28.00	147.00	46.00	42.75	40.25	3.56	32-1.62	36.00
		mm	711	3737	1170	1086	1022	90.5	32-41	915
Z40H-CL300										
2"	50	in	8.5	16.7	6.50	5.00	3.62	0.88	8-0.75	8.0
		mm	216	424	165	127	92	22.3	8-19	200
3"	80	in	11.15	21.00	8.25	6.62	5.0	1.12	8-0.88	10
		mm	283	535	210	168	127	28.5	8-22	250
4"	100	in	12.00	24.20	10.0	7.88	6.19	1.25	8-0.88	10
		mm	305	615	254	200	157.2	31.8	8-22	250
6"	150	in	15.87	31.30	12.50	10.62	8.5	1.44	12-0.88	14
		mm	403	795	318	270	216	36.6	12-22	350
8"	200	in	16.50	39.90	15.0	13.0	10.62	1.62	12-1.0	15.7
		mm	419	1012	381	330	270	41.3	12-25	400
10"	250	in	18.00	48.50	17.50	15.52	12.75	1.88	16-1.12	17.7
		mm	457	1231	444	387.5	324	47.7	16-29	450
12"	300	in	19.75	57.0	20.50	17.75	15.0	2.00	16-1.25	19.7
		mm	502	1450	521	451	381	50.8	16-32	500
14"	350	in	30.00	64.80	23.00	20.25	16.25	2.12	20-1.25	23.6
		mm	762	1645	584	514.5	413	54.0	20-32	600
16"	400	in	33.00	72.50	25.50	20.25	18.5	2.25	20-1.38	23.6
		mm	838	1841	648	571.5	470	57.2	20-35	600
18"	450	in	36.00	76.50	28.00	24.75	21	2.38	24-1.38	26.8
		mm	914	1943	711	628.5	533	60.4	24-35	680
20"	500	in	39.00	84.80	30.50	27.0	23.0	2.50	24-1.38	38
		mm	991	2154	775	686	584	63.5	24-35	760
24"	600	in	45.00	100.50	36.0	32.0	27.25	2.75	24-1.62	36
		mm	1143	2553	914	813	692	69.9	24-41	915

• API 闸阀

Z40H-CL150/CL300/CL600 Z41H-CL900/CL1500/CL2500

主要外形尺寸和连接尺寸 Main Dimensions And Connection Dimensions

公称通径NPS		单位 unit	L	H(全开) H(Fully open)	D	D1	D2	b	z-d	D0
in	mm									
Z40H-CL600										
2"	50	in	11.50	18	6.5	5.00	3.62	1.0	8-0.75	10
		mm	292	458	165	127	92	25.4	8-19	250
3"	80	in	14.00	22.58	8.25	6.62	5.00	1.25	8-0.88	10
		mm	356	570	210	168	127	31.8	8-22	250
4"	100	in	17.00	27.2	10.75	8.50	6.19	1.5	8-1.0	14
		mm	432	690	273	216	157	38.1	8-25	350
6"	150	in	22	35.8	14	11.50	8.50	1.88	12-1.12	18
		mm	559	910	356	292	216	47.7	12-29	450
8"	200	in	26.00	41.9	16.5	13.75	10.62	201.9	12-1.25	19.7
		mm	600	1064	419	349	270	55.6	12-32	500
10"	250	in	31.00	49.5	20	17.00	12.75	2.5	16-1.38	23.6
		mm	787	1257	508	432	324	63.5	16-35	600
12"	300	in	33	57.8	22	19.25	15.00	2.62	20-1.38	26.8
		mm	838	1468	559	489	381	66.7	20-35	680
14"	350	in	35	63.9	23.75	20.75	16.25	2.75	20-1.50	26.9
		mm	889	1623	603	527	413	69.9	20-38	760
16"	400	in	39	71.5	27	23.75	18.5	3.0	20-1.62	26.9
		mm	991	1816	686	603	470	76.2	20-41	760
18"	450	in	43	82.7	29.25	25.75	21.00	3.25	20-10.75	36
		mm	1092	2100	743	654	533	82.6	20-45	915
20"	500	in	47	88.6	32	28.5	23.00	3.5	24-1.75	37.4
		mm	1194	2250	813	724	584	88.9	24-45	950
24"	600	in	55	107.5	37	33.0	27.25	4.0	24-2.0	39.4
		mm	1397	2730	940	838	692	102	24-51	1000

主要外形尺寸和连接尺寸 Main Dimensions And Connection Dimensions

公称通径NPS		L	D	D1	D2	b	z-Φd	H	D0
mm	in								
Z41H-CL900									
50	2	368	216	165.1	92	46	8-Φ26	523	250
65	2 1/2	419	244	190.5	105	49	8-Φ29	635	250
80	3	381	241	190.5	127	46	8-Φ26	620	300
100	4	457	292	234.9	157	52	8-Φ32	688	350
150	6	610	381	317.5	216	63	12-Φ32	916	500
200	8	737	470	393.7	270	71	12-Φ39	1107	600
250	10	838	545	469.9	324	77	16-Φ39	1313	680
300	12	965	610	533.4	381	87	20-Φ39	1528	760
350	14	1029	640	559	413	93	20-Φ42	2216	864

注：如有产品参数疑问请致电上海电站阀门有限公司详询，电话：021-59222288

Note: If the product parameters, please call our company detailed inquiry, Tel: 021-59222288

• API 闸阀

Z40H-CL150/CL300/CL600 Z41H-CL900/CL1500/CL2500

主要外形尺寸和连接尺寸 Main Dimensions And Connection Dimensions

公称通径NPS		L	D	D1	D2	D8	b	z-Φd	H	D0	重量WT(kg)
mm	in										
Z41H-CL900											
50	2	372	216	165.1	124	95.2	46	8-Φ25	521	300	69
65	2 1/2	422	244	190.5	137	108.0	49	8-Φ29	584	350	79
80	3	384	241	190.5	156	123.8	46	8-Φ25	648	350	115
100	4	461	292	235.0	181	149.2	52	8-Φ32	750	400	198
125	5	562	349	279.4	216	181.0	59	8-Φ35	800	500	303
150	6	613	381	317.5	241	211.1	64	12-Φ32	940	600	407
200	8	740	470	393.7	308	269.9	72	12-Φ38	1130	600	725
250	10	842	546	469.9	362	323.8	78	16-Φ38	1340	650	1091
300	12	969	610	533.4	419	381.0	87	20-Φ38	1543	700	1629

主要外形尺寸和连接尺寸 Main Dimensions And Connection Dimensions

公称通径NPS		L	D	D1	D2	b	z-Φd	H~	D0	重量WT(kg)
mm	in									
Z41H-CL1500										
50	2	368	216	165	92	47	8-Φ26	614	254	116
65	2 1/2	419	244	191	105	50	8-Φ29	705	356	166
80	3	470	267	203	127	56	8-Φ32	705	356	209
100	4	546	311	241	157	62	8-Φ35	927	457	296
125	5	673	375	292	186	82	8-Φ42	1120	610	508
150	6	705	394	318	216	93	12-Φ39	1191	610	720
200	8	832	483	394	270	104	12-Φ45	1524	711	1275
250	10	991	585	483	324	120	12-Φ51	1854	864	2092
300	12	1130	675	572	381	139	16-Φ54	2184	864	2951
350	14	1257	750	635	413	150	16-Φ61	2216	864	4382
Z41H-CL2500										
65	2 1/2	330	267	196.3	105	65	8-Φ32	631	350	95
80	3	368	305	228.6	127	74	8-Φ35	735	450	115
100	4	457	356	273.0	157	84	8-Φ42	891	600	215
125	5	533	419	323.8	186	100	8-Φ48	1047	800	310
150	6	610	483	368.3	216	115	8-Φ54	1144	500	580
200	8	761	550	438.1	270	134	12-Φ54	1392	600	900
250	10	914	675	539.7	324	173	12-Φ67	1614	700	1600

注：如有产品参数疑问请致电上海电站阀门有限公司详询，电话：021-59222288

Note: If the product parameters, please call our company detailed inquiry, Tel: 021-59222288