

• 除氧器调节阀

TCY 系列
TCY Series

用途 Use

安装在汽、水管道上作流量调节用。
Installed in steam, water pipe for flow control.

技术规范 Specifications

公称压力: PN16, 25, 40, 64
公称通径: DN100~300
工作温度: $\leq 450^{\circ}\text{C}$
适用介质: 水、汽水两相流体
连接方式: 对焊、法兰
特性曲线: 线性、等百分比
流量系数Kv值或额定流量: 按用户提供的实际工艺参数设计、制造。
驱动方式: 电动

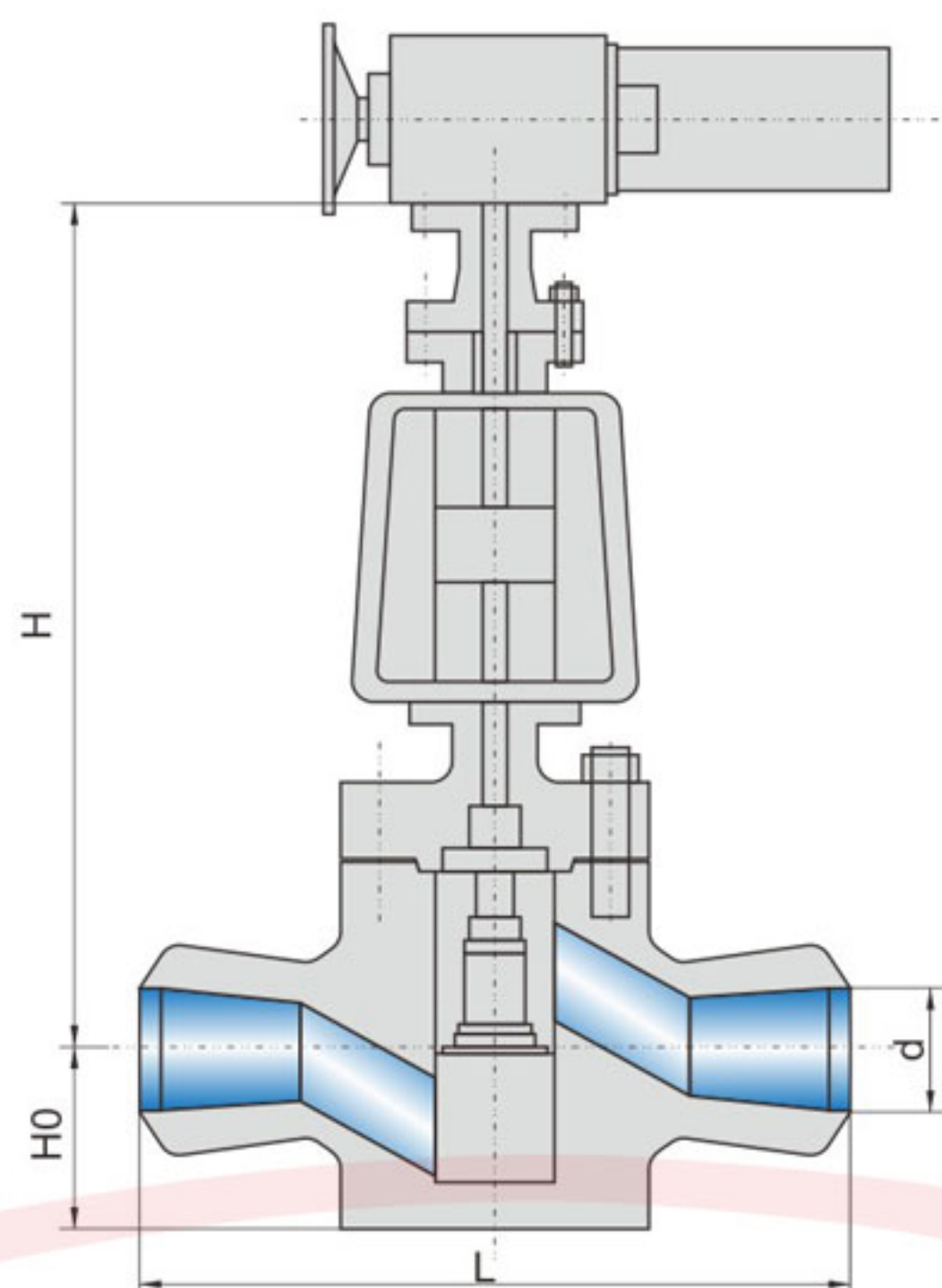
Nominal pressure: PN 1.6, 2.5, 4.0, 6.4
Nominal diameter: DN100 ~ 300mm
Operating temperature: $\leq 450^{\circ}\text{C}$
Applicable medium: water, soft drinks two-phase fluid.
Connection: Butt welding, flange.
Characteristic curve: linear, equal percentage.
Flow coefficient Kv value or rated flow: According to the actual process parameters provided by the user design, manufacture.
Manipulation method: electric.

结构特点 Structural Features

1. 阀门内腔采用拆装式结构, 阀腔内件(包括阀座、节流套、阀芯、密封件等)可从阀腔内取出, 进行检查、修复或更换, 阀体不需从管道上割下, 可多次使用。
 2. 阀芯在节流套的约束下, 作直行式运动, 实现流量调节控制。
 3. 节流套采用高铬不锈钢经硬化处理HRC ≥ 45 , 抗汽蚀、耐冲刷, 性能持久可靠。
 4. 密封面堆焊司太立硬质合金, 密封副经严格的精细加工, "0"开度时, 泄漏量为零, 且使用寿命长。
1. Valve cavity with removable structure, the valve cavity parts (including the valve seat, throttling sets, spools, seals, etc.) can be removed from the valve cavity, check, repair or replacement, the valve body without Pipe cut, can be used repeatedly.
 2. Spool in throttling restraint, for straight-line movement, to achieve flow control.
 3. Throttle sleeve made of high-chromium stainless steel hardened HRC ≥ 45 , anti-cavitation erosion-resistant, durable and reliable performance.
 4. Sealing surface welding Secretary too legislation cemented carbide, sealing by strict precision machining, "0" opening, the amount of leakage is zero, and long service life.

• 除氧器调节阀

TCY 系列
TCY Series



主要外形尺寸和连接尺寸 The Main Dimensions And Connection Dimensions

型号 Model	公称通径DN	d	L	H	H0
TCY968Y-25 64	100	100	550	870	150
	150	150	670	910	180
	200	203	800	1060	265
	250	250	1400	1180	265
	300	284	1400	1180	265

注：1. 焊接式阀门的管端尺寸 d 按用户提供的管径参数制造。 2. 法兰按国家标准制造，如用户有特殊要求，可在合同中注明。
Note: 1. Welded valve pipe end size d according to the user to provide the diameter of the manufacturing parameters.
2. Flange manufactured according to national standards, such as the user has special requirements, can be specified in the contract.

主要零件材料 The Main Part Material

零件名称	材料牌号	Part Name	Material grades
阀体	WCB	Body	WCB
阀座	2Cr13	Seat	2Cr13
阀芯	2Cr13	Spool	2Cr13
阀盖	WCB	Cap	WCB
阀杆	17-4PH	Valve stem	17-4PH
支架	WCB	Bracket	WCB