

# NK Series Vacuum Isolating Valve

## • NK系列真空隔离阀

### 主要特点及用途

1. 本系列阀门主体采用铸锻结构，具有平行双密封副半强制双向密封，密封面到位运动和楔形快楔紧运动分步作用实现零泄漏。
2. 密封面运动摩擦力小、启闭轻便，而且密封面磨损有自动补偿功能。
3. 结构简单、紧凑、检修方便，使用寿命长。
4. 阀盖填料室设有真空密封结构，具有自胀压紧作用，并且各接各面采用高强膨胀材料密封，使系统与大气完全隔离，具有很好的系统气密性。
5. 本系列阀门连接形式分法兰、焊接两种，驱动方式有手动、电动两种。  
该阀门适用于工作温度 $\leq 425^{\circ}\text{C}$ 和 $550^{\circ}\text{C}$ ，工作介质为水、蒸汽或空气的管路上，作为启闭装置；尤其适用于火电厂汽机冷凝和真空负压系统，起真空隔离密封作用。

### Chief Structure Features And Usages

1. The main body of this series valve uses a casting and forging structure and has a dual-direction seal of parallel secondary semi-forced dual sealing and the motions of both the sealing face to its due position due position and the tapered block to wedge-up are separated to have zero leakage come true.
2. The sealing face is of a small frictional force if motion,lightly opened and closed and has a self compensation function for wearing.
3. Simple and compact structure easy to more than 10 years of long duration.
4. A vacuum sealing structure is set in the filling chamber on the valve cover,which has the action of self-expanding and impacting,the joint faces are sealing with the expansive material of high strength to completely isolate the system from air.
5. Two connectin gways of b flange and welding,two ways to drive of heand-and eletric-operation. The valve can be used as the open & close device for the pipelines under the working temperature $\leq 425^{\circ}\text{C}$  and  $550^{\circ}\text{C}$  and the working medium of water,steam or air;especially suitable to act as the vacuum isolating sealing for the system of eteam turbine's condensation and vacuum negative pressure in steam power plants.

### 阀门结构型式

NKJ61型真空隔离截止阀；NKZ44, NKZ64型真空隔离闸板阀

### 制造验收技术标准

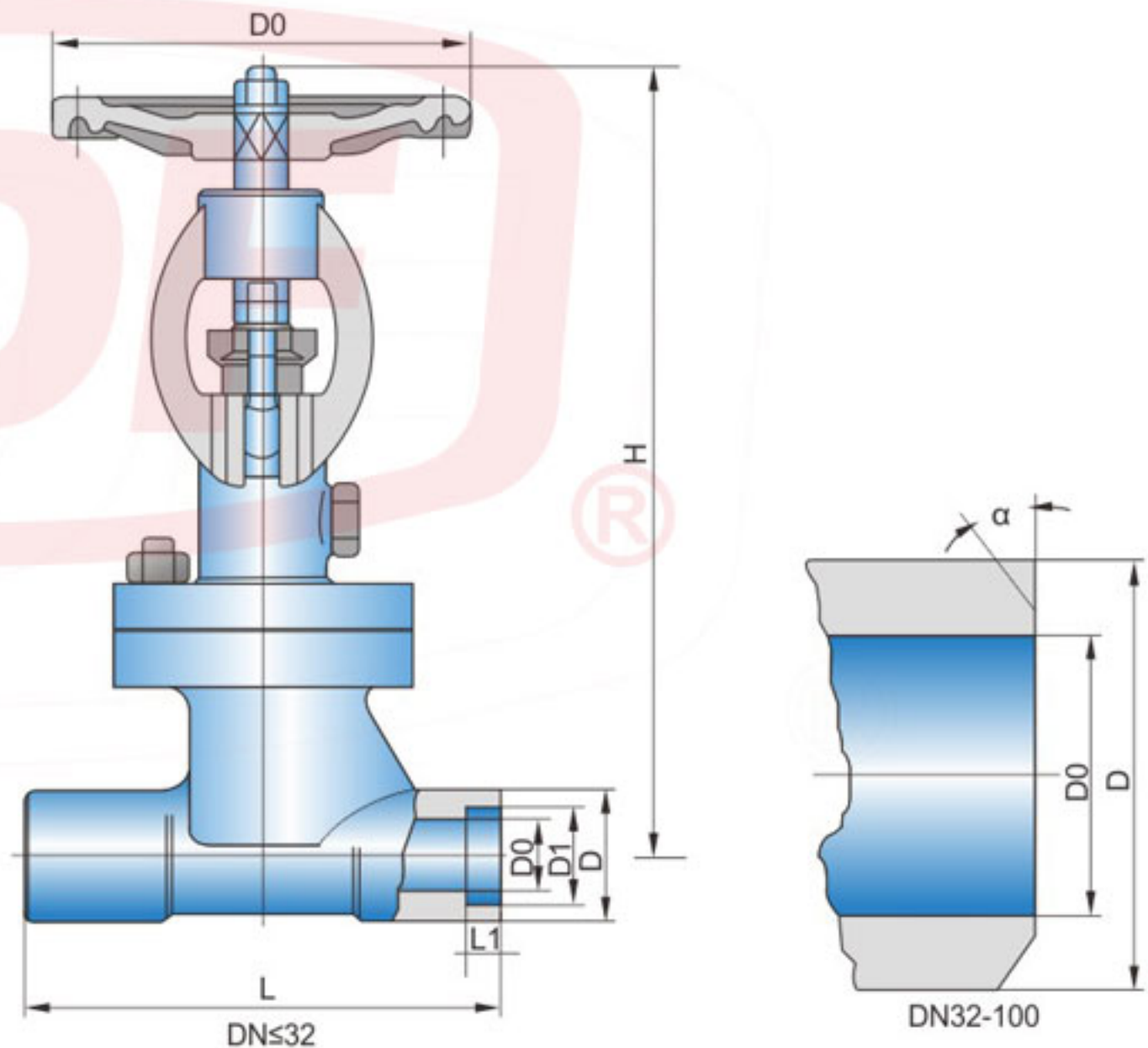
1. 制造验收技术条件参照GB/T 12234, GB/T 12235.
2. 阀门结构长度按GB/T 12221.
3. 阀门法兰尺寸按JB/T 78-79, GB/T 9112-9124.

### Valve Ctrucure Type

Mode1 NKJ61 Vacuum isolating stop valve;Model NKZ44 and NKZ64 Vacuum isolating gate valves.

### Manufacture And Acceptance Standard

1. Manufacture,eceptance and technical conditions per GB/T12234,GB/T12235.
2. Face-to face dimensions per GB/T12221.
3. Flange sizes per JB/T78-79,GB/T9112-9124.



### 主要性能规范 Main Performance Specifications

产品类别 Product category	壳体强度试验(MPa) Shell strength test	上密封试验(MPa) Back seal test	密封试验(Mpa) Sealing test	适用介质 Applicable medium	适用温度( $^{\circ}\text{C}$ ) Applicable Temp
NKJ61H-40	6.0	4.4	4.4	水、蒸汽、空气 Water, steam, air	$\leq 425$
NKJ61H-64	9.6	7.0	7.0		
NKJ61H-100	15.0	11.0	11.0		
NKJ61Y-40I	6.0	4.4	4.4	水、蒸汽、空气 Water, steam, air	$\leq 550$
NKJ61Y-64I	9.6	7.0	7.0		
NKJ61Y-100I	15.0	11.0	11.0		

### 主要零件材料 Material Formain Parts

零件名称 Part name	阀体、阀盖 Body, bonnet	阀杆 Stem	阀瓣 Disc	密封面 Sealing surface	阀杆螺母 Stem nut	填料 Packing	紧固件 fastener
NKJ61H-C	25或WCB 25 or WCB	铬不锈钢 Cr. stainless steel	铬不锈钢 Cr. stainless steel	H:合金钢 H: Alloy steel	铝青铜 Aluminum bronze	膨胀复合石墨 Expanded Graphite	优质碳钢 HQ carbon steel
NKJ61Y-I	铬钼钢 Cr.Mo steel	25Cr2MoV	12Cr1Mo1VA	Y:硬质合金 Y: Carbide			铬钼钢 Cr.Mo steel

## • 真空隔离截止阀

### 主要外形尺寸和连接尺寸 Main Dimensions And Connection Dimensions

公称通径 DN(mm)	L	H手 (Hand Wheel)	D	D0	D1	L1	α	W
<b>4.0MPa</b>								
10	130	245	36	11	18.4	10		120
15	130	245	36	16	22.5	10		120
20	150	265	44	21	28.5	11		160
25	160	270	48	26	34.5	12		200
32	180	285	48	34			37°30'	200
40	200	320	55	40			37°30'	240
50	230	365	64	48			37°30'	320
65	290	410	82	66			37°30'	300
80	310	430	95	78			37°30'	300
100	350	470	117	100			37°30'	350
125	400	500	143	126			37°30'	350
150	480	533	167	150			37°30'	400
<b>6.4MPa</b>								
10	130	245	36	10	18.4	10		120
15	130	245	36	15	22.5	10		120
20	150	265	44	20	28.5	11		160
25	160	270	48	25	34.5	12		200
32	180	280	48	33			37°30'	200
40	200	320	55	39			37°30'	240
50	230	365	64	48			37°30'	320
65	290	410	82	65			37°30'	320
80	310	430	95	76			37°30'	360
100	350	470	117	98			37°30'	400
125	480	500	143	123			37°30'	400
150	480	533	167	148			37°30'	500
<b>10.0MPa</b>								
10	130	245	36	10	18.4	10		120
15	130	245	36	14	22.5	10		120
20	150	265	44	20	28.5	11		160
25	160	270	48	25	34.5	12		200
32	180	285	48	32			37°30'	200
40	200	320	55	38			37°30'	240
50	230	355	64	48			37°30'	320
65	290	410	82	63			37°30'	320
80	310	430	95	74			37°30'	360
100	350	470	117	97			37°30'	400
125	400	500	143	123			37°30'	400
150	480	533	167	148			37°30'	500

注：如有产品参数疑问请致电上海电站阀门有限公司详询，电话：021-59222288

Note: If the product parameters, please call our company detailed inquiry, Tel: 021-59222288