

• 换代型对焊式截止阀

SGJ61H-16, 25, 40, 64, 100P, R, C, I, V

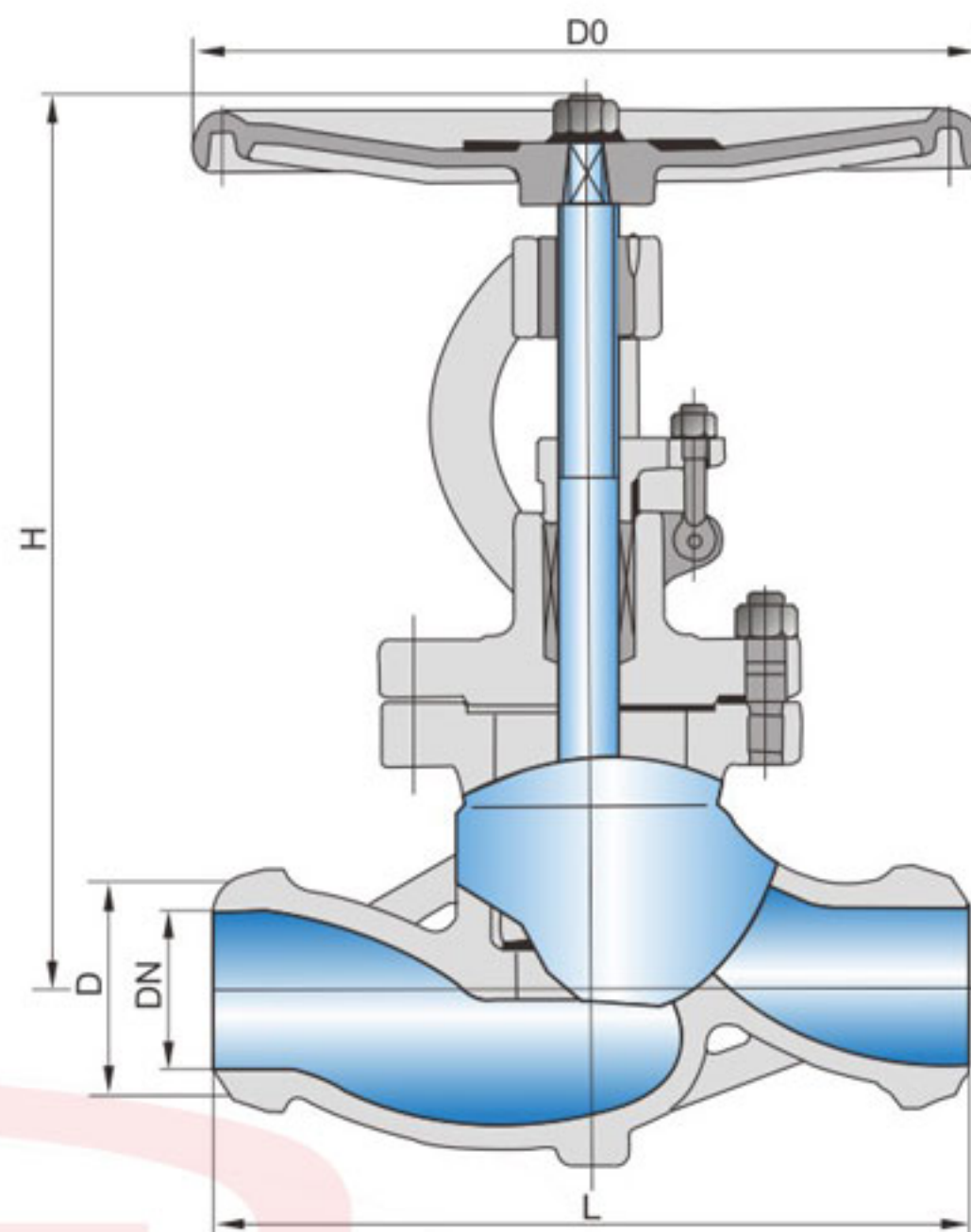
说明 Description

SGJ61H系列截止阀为本厂在广泛调研基础上, 应广大用户要求独立开发而成的具有独立知识产权产品。可广泛替代原J41H系列截止阀。具有启闭迅捷、密封可靠、寿命长、重量轻、铸件工艺性好以及安装不需法兰、管件、垫片, 并减少两个泄漏点等一系列优点, 可最大限度地满足各类用户的节能降耗、降本增盈及环保要求。

SGJ61H series of valve for the factory in the extensive research on the basis of the vast number of users should be independently developed from the independent intellectual property products. Can replace the original J41H series of cut-off valve. It has a series of advantages such as opening and closing fastness, reliable sealing, long life, light weight, good casting process and no flanges, fittings, gasket and two leakage points. It can meet the needs of all kinds of users Energy saving, cost reduction and environmental protection requirements.

试验压力 Test Pressure

压力(MPa) pressure	试验压力(MPa) test pressure	
	强度 strength	密封 Sealing
1.6	2.4	1.76
2.5	3.8	2.75
4.0	6	4.4
6.4	9.6	7.4
10	15	11



壳体材料 Shell Material

代号 Code	C	P				V(I)	
材料 material	25或WCB	CF8 304	CF3 304L	CF8M 316	CF3M 316L	WC6	WC9
工作温度(°C) working temp	425°C	200°C		200°C		552°C	593°C
适用介质 Applicable media	水、汽、油品等 Water, steam, oil etc.	硝酸等腐蚀性介质 HNO ₃ and other corrosive medium	强氧化性介质 Strong oxidizing medium	醋酸等 Acetic acid etc.	尿素等 Urea etc.	水、汽、油品等 Water, steam, oil etc.	

主要外形尺寸和连接尺寸 Main Dimensions And Connection Dimensions

PN16,25

DN	D	L	H	D0
15	25	130	236	120
20	29	150	242	120
25	32	160	280	160
32	45	180	290	160
40	60	200	330	200
50	78	230	350	240
65	90	290	400	280
80	110	310	430	320
100	136	350	465	360
125	164	400	526	400
150	190	480	605	400

PN40

DN	D	L	H	D0
15	25	130	236	120
20	29	150	242	120
25	36	160	281	120
32	46	180	290	160
40	65	200	330	200
50	79	230	350	240
65	90	290	400	280
80	110	310	430	320
100	135	350	465	360
125	164	400	526	400
150	190	480	620	450

PN64,100

DN	D	L	H	D0
15	29	170	195	100
20	32	190	228	120
25	38	210	250	160
32	48	230	326	200
40	70	260	359	240
50	79	300	418	280
65	90	340	448	320
80	110	380	519	400
100	138	430	630	450
125	168	500	660	480
150	195	550	683	500

注: 如有产品参数疑问请致电上海电站阀门有限公司详询, 电话: 021-59222288

Note: If the product parameters, please call our company detailed inquiry, Tel: 021-59222288